



GB Demolition Hammer

Instruction manual

ID Mesin Bobok

Petunjuk penggunaan

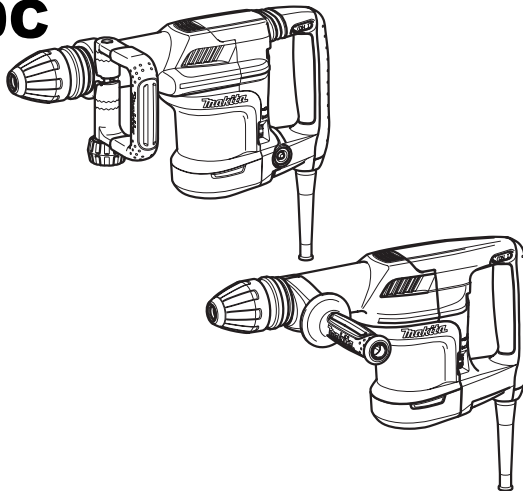
VI Máy đục bê tông

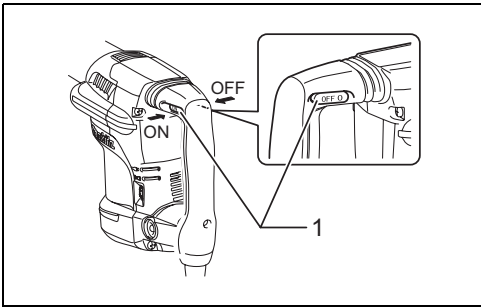
Tài liệu hướng dẫn

TH เครื่องเจาะสกัด

คู่มือการใช้งาน

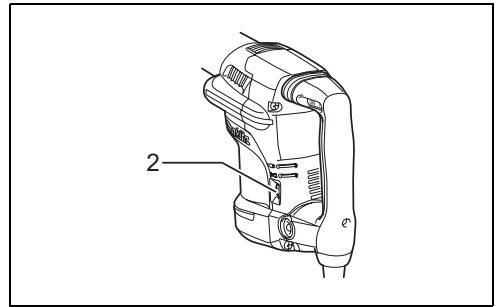
HM0871C
HM0870C





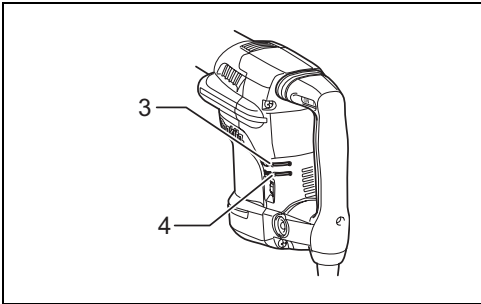
1

010454



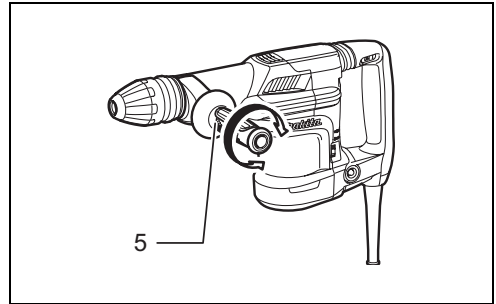
2

010465



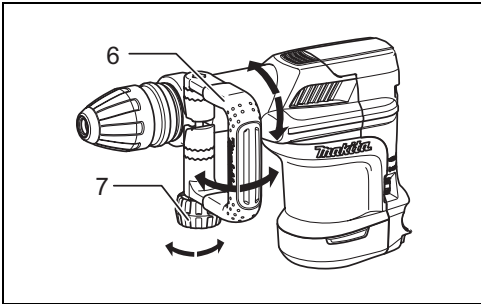
3

010456



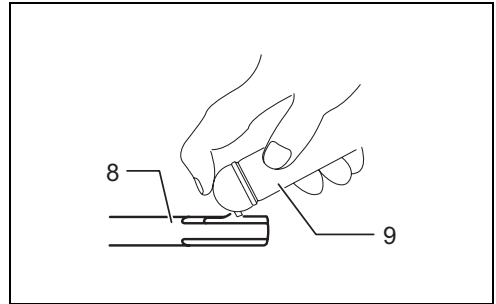
4

010494



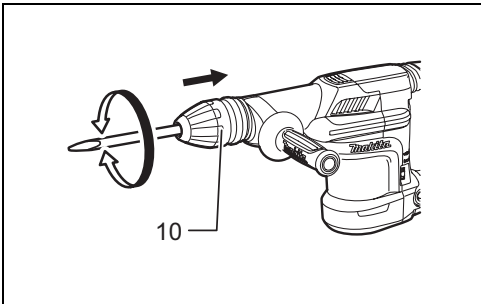
5

010453



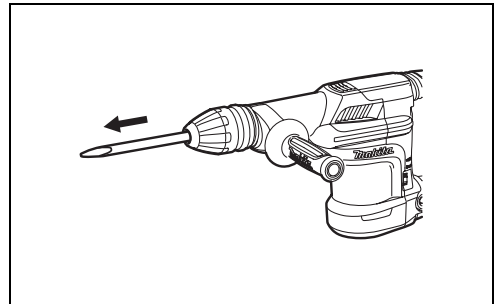
6

009664



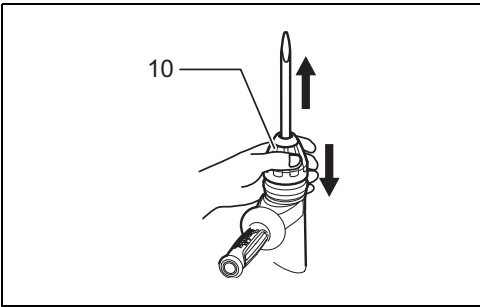
7

010489



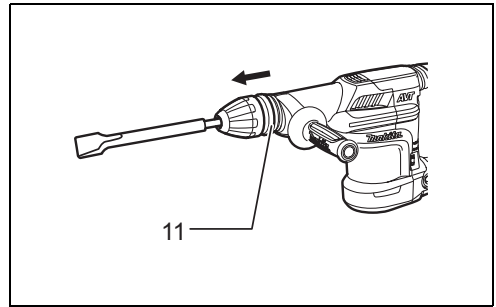
8

010490



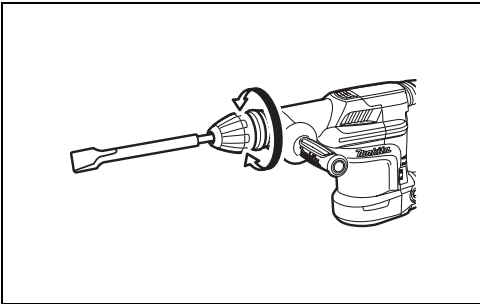
9

010491



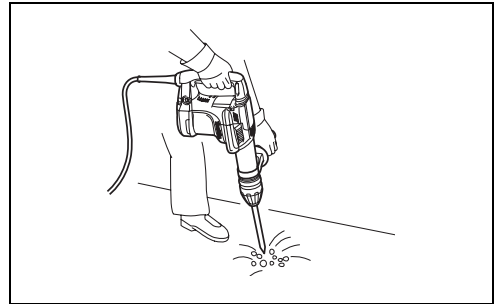
10

010492



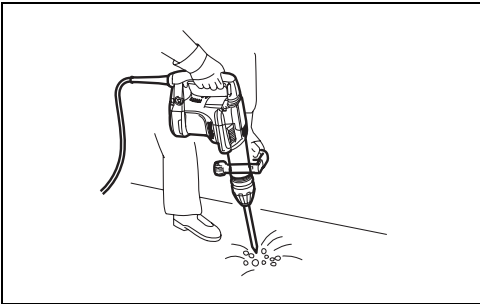
11

010493



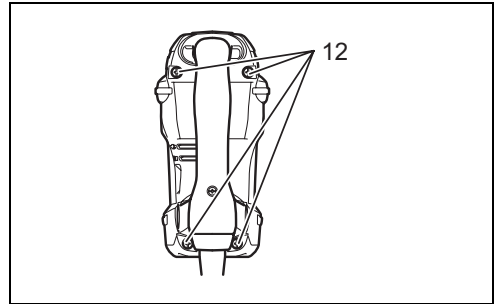
12

010495



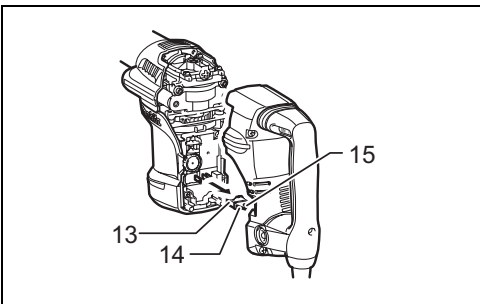
13

010455



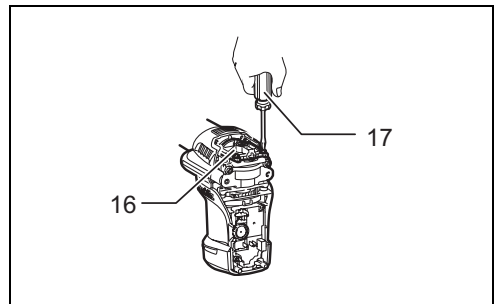
14

010458



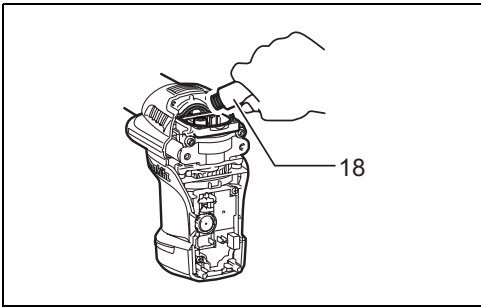
15

010457



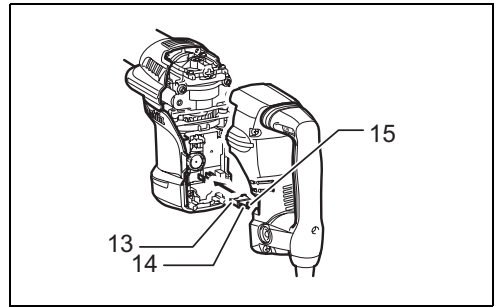
16

010459



17

010460



18

010461

Explanation of general view

- | | | |
|------------------------------------|---------------------|---------------------|
| 1. Switch lever | 7. Clamp nut | 13. Connector |
| 2. Adjusting dial | 8. Bit shank | 14. White |
| 3. Power-ON indicator lamp (green) | 9. Bit grease | 15. Black |
| 4. Service indicator lamp (red) | 10. Releasing cover | 16. Crank cap cover |
| 5. Side grip (auxiliary handle) | 11. Change ring | 17. Screwdriver |
| 6. D-sided side handle | 12. Screws | 18. Grease |

SPECIFICATIONS

Model	HM0871C	HM0870C
Blows per minute	1,100 - 2,650 min ⁻¹	
Overall length	466 mm	449 mm
Net weight	5.6 kg	5.1 kg
Safety class	□/II	

- Due to our continuing programme of research and development, the specifications herein are subject to change without notice.
- Specifications may differ from country to country.
- Weight according to EPTA-Procedure 01/2003

END201-4

Symbols

The following show the symbols used for the equipment. Be sure that you understand their meaning before use.



..... Read instruction manual.



..... DOUBLE INSULATION

ENE045-1

Intended use

The tool is intended for chiselling work in concrete, brick, stone and asphalt as well as for driving and compacting with appropriate accessories.

ENF002-1

Power supply

The tool should be connected only to a power supply of the same voltage as indicated on the nameplate, and can only be operated on single-phase AC supply. They are double-insulated in accordance with European Standard and can, therefore, also be used from sockets without earth wire.

GEA005-3

General Power Tool Safety Warnings

⚠ WARNING! Read all safety warnings and all instructions. Failure to follow the warnings and instructions may result in electric shock, fire and/or serious injury.

Save all warnings and instructions for future reference.

The term “power tool” in the warnings refers to your mains-operated (corded) power tool or battery-operated (cordless) power tool.

Work area safety

1. **Keep work area clean and well lit.** Cluttered or dark areas invite accidents.
2. **Do not operate power tools in explosive atmospheres, such as in the presence of flammable liquids, gases or dust.** Power tools create sparks which may ignite the dust or fumes.
3. **Keep children and bystanders away while operating a power tool.** Distractions can cause you to lose control.

Electrical safety

4. **Power tool plugs must match the outlet. Never modify the plug in any way. Do not use any adapter plugs with earthed (grounded) power tools.** Unmodified plugs and matching outlets will reduce risk of electric shock.
5. **Avoid body contact with earthed or grounded surfaces such as pipes, radiators, ranges and refrigerators.** There is an increased risk of electric shock if your body is earthed or grounded.
6. **Do not expose power tools to rain or wet conditions.** Water entering a power tool will increase the risk of electric shock.
7. **Do not abuse the cord. Never use the cord for carrying, pulling or unplugging the power tool. Keep cord away from heat, oil, sharp edges or moving parts.** Damaged or entangled cords increase the risk of electric shock.

8. **When operating a power tool outdoors, use an extension cord suitable for outdoor use.** Use of a cord suitable for outdoor use reduces the risk of electric shock.
9. **If operating a power tool in a damp location is unavoidable, use a residual current device (RCD) protected supply.** Use of an RCD reduces the risk of electric shock.
10. **Use of power supply via a RCD with a rated residual current of 30mA or less is always recommended.**

Personal safety

11. **Stay alert, watch what you are doing and use common sense when operating a power tool. Do not use a power tool while you are tired or under the influence of drugs, alcohol or medication.** A moment of inattention while operating power tools may result in serious personal injury.
12. **Use personal protective equipment. Always wear eye protection.** Protective equipment such as dust mask, non-skid safety shoes, hard hat, or hearing protection used for appropriate conditions will reduce personal injuries.
13. **Prevent unintentional starting. Ensure the switch is in the off-position before connecting to power source and/or battery pack, picking up or carrying the tool.** Carrying power tools with your finger on the switch or energising power tools that have the switch on invites accidents.
14. **Remove any adjusting key or wrench before turning the power tool on.** A wrench or a key left attached to a rotating part of the power tool may result in personal injury.
15. **Do not overreach. Keep proper footing and balance at all times.** This enables better control of the power tool in unexpected situations.
16. **Dress properly. Do not wear loose clothing or jewellery. Keep your hair, clothing, and gloves away from moving parts.** Loose clothes, jewellery or long hair can be caught in moving parts.
17. **If devices are provided for the connection of dust extraction and collection facilities, ensure these are connected and properly used.** Use of dust collection can reduce dust-related hazards.

Power tool use and care

18. **Do not force the power tool. Use the correct power tool for your application.** The correct power tool will do the job better and safer at the rate for which it was designed.
19. **Do not use the power tool if the switch does not turn it on and off.** Any power tool that cannot be controlled with the switch is dangerous and must be repaired.
20. **Disconnect the plug from the power source and/or the battery pack from the power tool before making any adjustments, changing accessories, or storing power tools.** Such preventive safety measures reduce the risk of starting the power tool accidentally.

21. **Store idle power tools out of the reach of children and do not allow persons unfamiliar with the power tool or these instructions to operate the power tool.** Power tools are dangerous in the hands of untrained users.
22. **Maintain power tools. Check for misalignment or binding of moving parts, breakage of parts and any other condition that may affect the power tool's operation. If damaged, have the power tool repaired before use.** Many accidents are caused by poorly maintained power tools.
23. **Keep cutting tools sharp and clean.** Properly maintained cutting tools with sharp cutting edges are less likely to bind and are easier to control.
24. **Use the power tool, accessories and tool bits etc. in accordance with these instructions, taking into account the working conditions and the work to be performed.** Use of the power tool for operations different from those intended could result in a hazardous situation.

Service

25. **Have your power tool serviced by a qualified repair person using only identical replacement parts.** This will ensure that the safety of the power tool is maintained.
26. **Follow instruction for lubricating and changing accessories.**
27. **Keep handles dry, clean and free from oil and grease.**

GEB004-6

HAMMER SAFETY WARNINGS

1. **Wear ear protectors.** Exposure to noise can cause hearing loss.
2. **Use auxiliary handle(s), if supplied with the tool.** Loss of control can cause personal injury.
3. **Hold power tool by insulated gripping surfaces, when performing an operation where the cutting accessory may contact hidden wiring or its own cord.** Cutting accessory contacting a "live" wire may make exposed metal parts of the power tool "live" and could give the operator an electric shock.
4. **Wear a hard hat (safety helmet), safety glasses and/or face shield. Ordinary eye or sun glasses are NOT safety glasses. It is also highly recommended that you wear a dust mask and thickly padded gloves.**
5. **Be sure the bit is secured in place before operation.**
6. **Under normal operation, the tool is designed to produce vibration. The screws can come loose easily, causing a breakdown or accident. Check tightness of screws carefully before operation.**
7. **In cold weather or when the tool has not been used for a long time, let the tool warm up for a while by operating it under no load. This will loosen up the lubrication. Without proper warm-up, hammering operation is difficult.**
8. **Always be sure you have a firm footing. Be sure no one is below when using the tool in high locations.**

9. Hold the tool firmly with both hands.
10. Keep hands away from moving parts.
11. Do not leave the tool running. Operate the tool only when hand-held.
12. Do not point the tool at any one in the area when operating. The bit could fly out and injure someone seriously.
13. Do not touch the bit or parts close to the bit immediately after operation; they may be extremely hot and could burn your skin.
14. Do not operate the tool at no-load unnecessarily.
15. Some material contains chemicals which may be toxic. Take caution to prevent dust inhalation and skin contact. Follow material supplier safety data.

SAVE THESE INSTRUCTIONS.

⚠ WARNING:
DO NOT let comfort or familiarity with product (gained from repeated use) replace strict adherence to safety rules for the subject product.
MISUSE or failure to follow the safety rules stated in this instruction manual may cause serious personal injury.

FUNCTIONAL DESCRIPTION

⚠ CAUTION:

- Always be sure that the tool is switched off and unplugged before adjusting or checking function on the tool.

Switch action (Fig. 1)

⚠ CAUTION:

- Before plugging in the tool, always check to see that the tool is switched off.
- Switch can be locked in "ON" position for ease of operator comfort during extended use. Apply caution when locking tool in "ON" position and maintain firm grasp on tool.

To start the tool, push the switch lever "ON (I)" on the left side of the tool. To stop the tool, push the switch lever "OFF (O)" on the right side of the tool.

Speed change (Fig. 2)

The blows per minute can be adjusted just by turning the adjusting dial. This can be done even while the tool is running. The dial is marked 1 (lowest speed) to 5 (full speed).

Refer to the table below for the relationship between the number settings on the adjusting dial and the blows per minute.

Number on adjusting dial	Blows per minute
5	2,650
4	2,400
3	1,750
2	1,300
1	1,100

010466

⚠ CAUTION:

- The speed adjusting dial can be turned only as far as 5 and back to 1. Do not force it past 5 or 1, or the speed adjusting function may no longer work.

For Model HM0871C only

NOTE:

- Blows at no load per minute becomes smaller than those on load in order to reduce vibration under no load, but this does not show trouble. Once operation starts with a bit against concrete, blows per minute increase and get to the numbers as shown in the table. When temperature is low and there is less fluidity in grease, the tool may not have this function even with the motor rotating.

Indicator lamp (Fig. 3)

The green power-ON indicator lamp lights up when the tool is plugged. If the indicator lamp does not light up, the mains cord or the controller may be malfunction. The indicator lamp is lit but the tool does not start even if the tool is switched on, the carbon brushes may be worn out, or the controller, the motor or the ON/OFF switch may be malfunction.

The red service indicator lamp flickers up when the carbon brushes are nearly worn out to indicate that the tool needs servicing. After approx. 8 hours of use, the motor will automatically be shut off.

ASSEMBLY

⚠ CAUTION:

- Always be sure that the tool is switched off and unplugged before carrying out any work on the tool.

Side handle (auxiliary handle)

For tool with stick type side handle (Fig. 4)

The side grip swings around to either side, allowing easy handling of the tool in any position. Loosen the side grip by turning it counterclockwise, swing it to the desired position and then tighten it by turning clockwise.

For tool with D-shaped side handle (Fig. 5)

The side handle can be swung 360° on the vertical and secured at any desired position. It also secures at eight different positions back and forth on the horizontal. Just loosen the clamp nut to swing the side handle to a desired position. Then tighten the clamp nut securely.

Installing or removing the bit

Clean the bit shank and apply bit grease before installing the bit. (Fig. 6)

Insert the bit into the tool. Turn the bit and push it in until it engages.

If the bit cannot be pushed in, remove the bit. Pull the releasing cover down a couple of times. Then insert the bit again. Turn the bit and push it in until it engages.

(Fig. 7)

After installing, always make sure that the bit is securely held in place by trying to pull it out. (Fig. 8)

To remove the bit, pull the releasing cover down all the way and pull the bit out. (Fig. 9)

Bit angle (Fig. 10 & Fig. 11)

The bit can be secured at 12 different angles. To change the bit angle, slide the change ring forward, then turn the change ring to change the bit angle. At the desired angle, slide the change ring back to the original position. The bit will be secured in place.

NOTE:

- The change ring cannot turn when the bit is not installed on the tool.

OPERATION

Chipping/Scaling/Demolition (Fig. 12 & Fig. 13)

Always use the side grip (auxiliary handle) and firmly hold the tool by both side grip and switch handle during operations. Turn the tool on and apply slight pressure on the tool so that the tool will not bounce around, uncontrolled. Pressing very hard on the tool will not increase the efficiency.

MAINTENANCE

⚠ CAUTION:

- Always be sure that the tool is switched off and unplugged before attempting to perform inspection or maintenance.
- Never use gasoline, benzine, thinner, alcohol or the like. Discoloration, deformation or cracks may result.

Lubrication

⚠ CAUTION:

- This servicing should be performed by Makita Authorized Service Centers only.

This tool requires no hourly or daily lubrication because it has a grease-packed lubrication system. It should be lubricated every time the carbon brushes are replaced. Send the complete tool to Makita Authorized Service Center for this lubrication service.

Run the tool for several minutes to warm it up. Switch off and unplug the tool.

Loosen the four screws and remove the handle. Note that the top screws are different from other screws. (Fig. 14)

Disconnect the connector by pulling them. (Fig. 15)

Loosen the four screws on crank cap and remove the crank cap cover. (Fig. 16)

Wipe out the old grease inside and replace with a fresh grease (30 g). Use only Makita genuine hammer grease (optional accessory). Filling with more than the specified amount of grease (approx. 30 g) can cause faulty hammering action or tool failure. Fill only with the specified amount of grease. (Fig. 17)

⚠ CAUTION:

- Be careful not to damage the connector or lead wires especially when wiping out the old grease.

To reassemble the tool, follow the disassembling procedure in reverse.

⚠ CAUTION:

- Do not tighten the crank cap excessively. It is made of resin and is subject to breakage.

- Be careful not to damage the connector or lead wires especially when installing the handle.

Connect the connector firmly and then reinstall the handle. (Fig. 18)

To maintain product SAFETY and RELIABILITY, repairs, carbon brush inspection and replacement, any other maintenance or adjustment should be performed by Makita Authorized Service Centers, always using Makita replacement parts.

OPTIONAL ACCESSORIES

⚠ CAUTION:

- These accessories or attachments are recommended for use with your Makita tool specified in this manual. The use of any other accessories or attachments might present a risk of injury to persons. Only use accessory or attachment for its stated purpose.

If you need any assistance for more details regarding these accessories, ask your local Makita Service Center.

- Bull point (SDS-max)
- Cold chisel (SDS-max)
- Scaling chisel (SDS-max)
- Clay spade (SDS-max)
- Bit grease
- Safety goggles
- Hammer grease
- Plastic carrying case

NOTE:

- Some items in the list may be included in the tool package as standard accessories. They may differ from country to country.

Penjelasan tampilan keseluruhan

- | | | |
|------------------------------------|---------------------|----------------------------|
| 1. Tuas saklar | 7. Mur klem | 14. Putih |
| 2. saklar penyetel | 8. Kepala tirus | 15. Hitam |
| 3. Lampu indikator daya-ON (hijau) | 9. Gemuk mata mesin | 16. Pelindung tutup engkol |
| 4. Lampu indikator servis (merah) | 10. Tutup pelepas | 17. Obeng |
| 5. Gagang sisi (pegangan tambahan) | 11. Cincin pengubah | 18. Gemuk |
| 6. Pegangan sisi berbentuk D | 12. Sekrup | |
| | 13. Konektor | |

SPESIFIKASI

Model	HM0871C	HM0870C
Hembusan per menit	1.100 - 2.650 min ⁻¹	
Panjang keseluruhan	466 mm	449 mm
Berat bersih	5,6 kg	5,1 kg
Kelas keamanan	□/II	

- Karena kesinambungan program penelitian dan pengembangan kami, spesifikasi yang disebutkan di sini dapat berubah tanpa pemberitahuan.
- Spesifikasi dapat berbeda dari satu negara ke negara lainnya.
- Berat menurut Prosedur EPTA 01/2003

END201-4

Simbol

Berikut ini adalah simbol-simbol yang digunakan pada peralatan ini.

Pastikan Anda mengerti makna masing-masing simbol sebelum menggunakan alat.



..... Baca petunjuk penggunaan.



..... ISOLASI GANDA

ENE045-1

Penggunaan

Mesin ini digunakan untuk memahat beton, batu bata, batu dan aspal serta untuk memasang dan memadatkan dengan aksesoris yang sesuai.

ENF002-1

Pasokan daya

Mesin harus terhubung dengan pasokan daya listrik yang bervoltase sama dengan yang tertera pada pelat nama, dan hanya dapat dijalankan dengan listrik AC fase tunggal. Mesin diisolasi ganda sesuai Standard Eropa dan oleh sebab itu dapat dihubungkan dengan soket tanpa arde.

GEA005-3

Peringatan Keselamatan Umum Mesin Listrik

⚠ PERINGATAN! Bacalah semua peringatan keselamatan dan semua petunjuk. Kelalaian mematuhi peringatan dan petunjuk dapat menyebabkan sengatan listrik, kebakaran dan/atau cedera serius.

Simpanlah semua peringatan dan petunjuk untuk acuan di masa depan.

Istilah "mesin listrik" dalam semua peringatan mengacu pada mesin listrik yang dijalankan dengan sumber listrik jala-jala (berkabel) atau baterai (tanpa kabel).

Keselamatan tempat kerja

1. **Jaga tempat kerja selalu bersih dan berpenerangan cukup.** Tempat kerja yang berantakan dan gelap mengundang kecelakaan.
2. **Jangan gunakan mesin listrik dalam lingkungan yang mudah meledak, misalnya jika ada cairan, gas, atau debu yang mudah menyala.** Mesin listrik menimbulkan bunga api yang dapat menyalakan debu atau uap tersebut.
3. **Jauhkan anak-anak dan orang lain saat menggunakan mesin listrik.** Bila perhatian terpecah, anda dapat kehilangan kendali.

Keamanan kelistrikan

4. **Steker mesin listrik harus cocok dengan stopkontak. Jangan sekali-kali mengubah steker dengan cara apa pun. Jangan menggunakan steker adaptor dengan mesin listrik berarde (dibumikan).** Steker yang tidak diubah dan stopkontak yang cocok akan mengurangi risiko sengatan listrik.
5. **Hindari sentuhan tubuh dengan permukaan berarde atau yang dibumikan seperti pipa, radiator, kompor, dan kulkas.** Risiko sengatan listrik bertambah jika tubuh Anda terbumikan atau terarde.
6. **Jangan membiarkan mesin listrik kehujanan atau kebasahan.** Air yang masuk ke dalam mesin listrik akan meningkatkan risiko sengatan listrik.

7. **Jangan menyalahgunakan kabel.** Jangan sekali-kali menggunakan kabel untuk membawa, menarik, atau mencabut mesin listrik dari stopkontak. Jauhkan kabel dari panas, minyak, tepian tajam, atau bagian yang bergerak. Kabel yang rusak atau kusut memperbesar risiko sengatan listrik.
8. **Bila menggunakan mesin listrik di luar ruangan, gunakan kabel ekstensi yang sesuai untuk penggunaan di luar ruangan.** Penggunaan kabel yang sesuai untuk penggunaan luar ruangan mengurangi risiko sengatan listrik.
9. **Jika mengoperasikan mesin listrik di lokasi lembap tidak terhindarkan, gunakan pasokan daya yang dilindungi peranti imbasan arus (residual current device - RCD).** Penggunaan RCD mengurangi risiko sengatan listrik.
10. **Penggunaan pasokan daya melalui RCD dengan kapasitas arus sisa 30 mA atau kurang selalu dianjurkan.**

Keselamatan diri

11. **Jaga kewaspadaan, perhatikan pekerjaan Anda dan gunakan akal sehat bila menggunakan mesin listrik.** Jangan menggunakan mesin listrik saat Anda lelah atau di bawah pengaruh obat bius, alkohol, atau obat. Sekejap saja lalai saat menggunakan mesin listrik dapat menyebabkan cedera diri yang serius.
12. **Gunakan alat pelindung diri. Selalu gunakan pelindung mata.** Peralatan pelindung seperti masker debu, sepatu pengaman anti-selip, helm pengaman, atau pelindung telinga yang digunakan untuk kondisi yang sesuai akan mengurangi risiko cedera diri.
13. **Cegah penyalaaan yang tidak disengaja. Pastikan bahwa sakelar berada dalam posisi mati (off) sebelum menghubungkan mesin ke sumber daya dan/atau baterai, atau mengangkat atau membawanya.** Membawa mesin listrik dengan jari Anda pada sakelarnya atau mengalirkan listrik pada mesin listrik yang sakelarnya hidup (on) akan mengundang kecelakaan.
14. **Lepaskan kunci-kunci penyetel sebelum menghidupkan mesin listrik.** Kunci-kunci yang masih terpasang pada bagian mesin listrik yang berputar dapat menyebabkan cedera.
15. **Jangan meraih terlalu jauh. Jagalah pijakan dan keseimbangan sepanjang waktu.** Hal ini memungkinkan kendali yang lebih baik atas mesin listrik dalam situasi yang tidak diharapkan.
16. **Kenakan pakaian dengan baik. Jangan memakai pakaian yang kedodoran atau perhiasan. Jaga jarak antara rambut, pakaian, dan sarung tangan Anda dengan bagian mesin yang bergerak.** Pakaian kedodoran, perhiasan, atau rambut panjang dapat tersangkut pada bagian yang bergerak.
17. **Jika tersedia fasilitas untuk menghisap dan mengumpulkan debu, pastikan fasilitas tersebut terhubung listrik dan digunakan dengan baik.** Penggunaan pembersih debu dapat mengurangi bahaya yang terkait dengan debu.

Penggunaan dan pemeliharaan mesin listrik

18. **Jangan memaksa mesin listrik. Gunakan mesin listrik yang tepat untuk keperluan Anda.** Mesin listrik yang tepat akan menuntaskan pekerjaan dengan lebih baik dan aman pada kecepatan sesuai rancangannya.
19. **Jangan gunakan mesin listrik jika sakelar tidak dapat menyalakan dan mematikannya.** Mesin listrik yang tidak dapat dikendalikan dengan sakelarnya adalah berbahaya dan harus diperbaiki.
20. **Cabut steker dari sumber listrik dan/atau baterai dari mesin listrik sebelum melakukan penyetelan, pergantian aksesor, atau menyimpan mesin listrik.** Langkah keselamatan preventif tersebut mengurangi risiko hidupnya mesin secara tak sengaja.
21. **Simpan mesin listrik jauh dari jangkauan anak-anak dan jangan biarkan orang yang tidak paham mengenai mesin listrik tersebut atau petunjuk ini menggunakan mesin listrik.** Mesin listrik sangat berbahaya di tangan pengguna yang tak terlatih.
22. **Rawatlah mesin listrik. Periksa apakah ada bagian bergerak yang tidak lurus atau macet, bagian yang pecah dan kondisi lain yang dapat mempengaruhi penggunaan mesin listrik.** Jika rusak, perbaiki dahulu mesin listrik sebelum digunakan. Banyak kecelakaan disebabkan oleh kurangnya pemeliharaan mesin listrik.
23. **Jaga agar mesin pemotong tetap tajam dan bersih.** Mesin pemotong yang terawat baik dengan mata pemotong yang tajam tidak mudah macet dan lebih mudah dikendalikan.
24. **Gunakan mesin listrik, aksesor, dan mata mesin, dll. sesuai dengan petunjuk ini, dengan memperhitungkan kondisi kerja dan jenis pekerjaan yang dilakukan.** Penggunaan mesin listrik untuk penggunaan yang lain dari peruntukan dapat menimbulkan situasi berbahaya.

Servis

25. **Berikan mesin listrik untuk diperbaiki hanya kepada oleh teknisi yang berkualifikasi dengan menggunakan hanya suku cadang pengganti yang serupa.** Hal ini akan menjamin terjaganya keamanan mesin listrik.
26. **Patuhi petunjuk pelumasan dan penggantian aksesor.**
27. **Jagalah agar gagang kering, bersih, dan bebas dari minyak dan gemuk.**

GEB004-6

PERINGATAN KESELAMATAN MESIN BOBOK

1. **Kenakan pelindung telinga.** Terpaan kebisingan dapat menyebabkan hilangnya pendengaran.
2. **Gunakan gagang tambahan, jika disertakan bersama mesin ini.** Kehilangan kendali dapat menyebabkan cedera.
3. **Pegang mesin listrik pada permukaan genggam yang terisolasi saat melakukan pekerjaan bila mesin pemotong mungkin bersentuhan dengan kawat tersembunyi atau kabelnya sendiri.** Pengencang yang menyentuh kawat "hidup" dapat

menyebabkan bagian logam pada mesin teraliri arus listrik dan menyengat pengguna.

4. **Kenakan helm pengaman, kaca mata pengaman dan/atau pelindung muka. Kaca mata biasa atau kaca mata hitam BUKANLAH kaca mata pengaman. Anda sangat dianjurkan untuk mengenakan masker debu dan sarung tangan tebal.**
5. **Pastikan mata mesin terpasang pada tempatnya sebelum penggunaan.**
6. **Pada penggunaan normal, mesin dirancang untuk menghasilkan getaran. Sekrup bisa menjadi longgar dengan mudah, menyebabkan kerusakan atau kecelakaan. Periksa kekencangan sekrup sebelum penggunaan.**
7. **Pada cuaca dingin atau ketika mesin telah lama tidak digunakan, lakukan pemanasan pada mesin beberapa saat dengan mengoperasikannya tanpa beban. Hal ini akan memperlancar pelumasan. Tanpa pemanasan yang tepat, pengerjaan pembobokan menjadi sulit.**
8. **Selalu pastikan Anda berada di atas alas yang kuat. Pastikan tidak ada orang di bawahnya bila Anda menggunakan mesin di tempat yang tinggi.**
9. **Pegang mesin kuat-kuat dengan kedua tangan.**
10. **Jauhkan tangan dari bagian yang berputar.**
11. **Jangan tinggalkan mesin dalam keadaan hidup. Jalankan mesin hanya ketika digenggam tangan.**
12. **Jangan mengarahkan mesin pada siapapun di tempat kerja ketika mengoperasikan. Mata mesin bisa terlempar dan melukai orang dengan serius.**
13. **Jangan menyentuh mata mesin atau benda kerja segera setelah mengoperasikan; suhunya mungkin masih sangat panas dan dapat membakar kulit Anda.**
14. **Jangan mengoperasikan mesin tanpa beban dengan tanpa keperluan.**
15. **Bahan tertentu mengandung zat kimia yang mungkin beracun. Hindari menghirup debu dan persentuhan dengan kulit. Ikuti data keselamatan bahan dari pemasok.**

SIMPAN PETUNJUK INI.

⚠ PERINGATAN:
JANGAN biarkan kenyamanan atau terbiasanya Anda dengan produk (karena penggunaan berulang) menggantikan kepatuhan yang ketat terhadap aturan keselamatan untuk produk yang terkait.
PENYALAHGUNAAN atau kelalaian mematuhi kaidah keselamatan yang tertera dalam petunjuk ini dapat menyebabkan cedera badan serius.

DESKRIPSI FUNGSI

⚠ PERHATIAN:

- Selalu pastikan bahwa mesin dalam keadaan mati dan steker tercabut sebelum menyatel atau memeriksa kerja mesin.

Kerja saklar (Gb. 1)

⚠ PERHATIAN:

- Sebelum memasukkan steker, pastikan bahwa mesin dalam keadaan mati.
- Saklar bisa dikunci dalam posisi "ON" untuk memberi kenyamanan pada operator selama penggunaan terus-menerus. Selalu berhati-hati ketika mengunci mesin dalam posisi "ON" dan pegang mesin kuat-kuat.

Untuk menyalakan mesin, tekan tuas saklar "ON (I)" pada sisi kiri mesin. Untuk menghentikan mesin, tekan tuas saklar "OFF (O)" pada sisi kanan mesin.

Perubahan kecepatan (Gb. 2)

Hembusan per menit bisa disetel hanya dengan memutar saklar penyatel. Hal ini dapat dilakukan bahkan ketika mesin sedang bekerja. Saklar diberi tanda 1 (kecepatan terendah) sampai 5 (kecepatan penuh).

Silakan mengacu pada tabel di bawah ini untuk hubungan antara setelan angka pada saklar penyatel dan hembusan per menit.

Angka pada saklar penyatel	Hembusan per menit
5	2.650
4	2.400
3	1.750
2	1.300
1	1.100

010466

⚠ PERHATIAN:

- Saklar penyatel kecepatan dapat diputar hanya sampai 5 dan kembali ke 1. Jangan dipaksa melewati 5 atau 1, atau penyatel kecepatan bisa tidak berfungsi lagi.

Hanya untuk Model HM0871C

CATATAN:

- Hembusan tanpa beban per menit menjadi lebih kecil daripada dengan beban karena berkurangnya getaran saat tanpa beban, tetapi hal ini bukan merupakan masalah. Ketika pengoperasian dimulai dengan pengerjaan pada beton, hembusan per menit meningkat dan mencapai angka yang ditunjukkan dalam tabel. Ketika suhu rendah dan gemuknya kurang cair, mesin dapat tidak berfungsi dengan baik walaupun motornya berputar.

Lampu indikator (Gb. 3)

Lampu indikator daya-ON yang berwarna hijau menyala ketika steker mesin dimasukkan. Jika lampu indikator tidak menyala, mungkin ada kerusakan pada kabel utama atau pengendali. Jika indikator menyala tetapi mesin tidak menyala bahkan ketika saklar mesin ditekan, ada kemungkinan sikat karbon sudah aus, atau ada kerusakan pada pengendali, motor atau saklar ON/OFF. Lampu indikator servis berkedip ketika sikat karbon hampir aus untuk menandakan bahwa mesin perlu diperbaiki. Setelah penggunaan selama kira-kira 8 jam, motor akan mati secara otomatis.

PERAKITAN

⚠ PERHATIAN:

- Selalu pastikan bahwa mesin dalam keadaan mati dan steker tercabut sebelum melakukan pekerjaan apapun pada mesin.

Pegangan sisi (pegangan tambahan)

Untuk mesin dengan pegangan sisi jenis batang (Gb. 4)

Gagang sisi berputar ke sisi lain, memudahkan dalam memegang mesin pada posisi apapun. Kendurkan gagang sisi dengan memutar ke berlawanan arah jarum jam, putar pada posisi yang diinginkan kemudian kencangkan dengan memutarnya searah jarum jam.

Untuk mesin dengan pegangan sisi berbentuk D (Gb. 5)

Pegangan sisi bisa diputar 360° secara vertikal dan dipasang pada posisi manapun yang diinginkan. Juga bisa dipasang pada delapan posisi berbeda, mundur dan maju secara horisontal. Cukup mengendurkan mur klem untuk memutar pegangan sisi pada posisi yang diinginkan. Kemudian kencangkan mur klem.

Memasang atau melepas mata mesin

Bersihkan kepala tirus dan beri gemuk sebelum memasang mata mesin. (Gb. 6)

Masukkan mata mesin ke dalam mesin. Putar mata mesin dan dorong sampai terpasang.

Jika mata mesin tidak bisa didorong, lepas mata mesin. Tarik tutup pelepas beberapa kali. Kemudian masukkan lagi mata mesin. Putar mata mesin dan dorong sampai terpasang. (Gb. 7)

Setelah memasang, selalu pastikan bahwa mata mesin benar-benar terpasang pada tempatnya dengan mencoba menariknya keluar. (Gb. 8)

Untuk melepas mata mesin, tarik tutup pelepas sepenuhnya dan tarik mata mesin keluar. (Gb. 9)

Sudut mata mesin (Gb. 10 & Gb. 11)

Mata mesin bisa dipasang pada 12 sudut yang berbeda.

Untuk mengubah sudut, geser maju cincin pengubah, kemudian putar cincin pengubah untuk mengubah sudut mata mesin. Pada sudut yang diinginkan, geser kembali cincin pengubah ke posisi semula. Mata mesin akan terpasang pada tempatnya.

CATATAN:

- Cincin pengubah tidak bisa berputar ketika mata mesin tidak terpasang pada mesin.

PENGGUNAAN

Menyerpih/Menumbuk/Membobok (Gb. 12 & Gb. 13)

Selalu gunakan gagang sisi (pegangan tambahan) dan pegang mesin kuat-kuat pada kedua gagang sisi dan pegangan saklar selama penggunaan. Nyalakan mesin dan beri sedikit tekanan pada mesin sehingga mesin tidak akan memantul, tidak terkendali. Terlalu menekan mesin tidak akan meningkatkan efisiensinya.

PERAWATAN

⚠ PERHATIAN:

- Selalu pastikan bahwa mesin dimatikan dan steker dicabut sebelum melakukan pemeriksaan atau perawatan.
- Jangan sekali-kali menggunakan bensin, tiner, alkohol, atau bahan sejenisnya. Penggunaan bahan demikian dapat menyebabkan perubahan warna, perubahan bentuk atau timbulnya retakan.

Pelumasan

⚠ PERHATIAN:

- Perbaikan ini harus dilakukan hanya oleh Pusat Layanan Resmi Makita.

Mesin tidak memerlukan pelumasan setiap jam atau harian karena mempunyai sistem pelumasan gemuk yang telah terpasang. Harus dilumasi pada setiap penggantian sikat karbon. Kirimkan mesin dengan lengkap ke Pusat Layanan Resmi Makita untuk pelumasan tersebut.

Nyalakan mesin selama beberapa menit untuk pemanasan. Matikan dan cabut steker mesin.

Kendurkan empat sekrup dan lepaskan pegangan. Perlu diingat bahwa sekrup atas berbeda dengan sekrup yang lain. (Gb. 14)

Lepas konektor dengan menariknya. (Gb. 15)

Kendurkan keempat sekrup pada tutup engkol dan lepas pelindung tutup engkol. (Gb. 16)

Lap gemuk bekas di dalamnya dan ganti dengan gemuk yang baru (30g). Hanya gunakan gemuk mesin bobok asli buatan Makita (aksesori pilihan). Melumasi dengan gemuk lebih dari yang ditentukan (kira-kira 30 g) bisa menyebabkan mesin bobok tidak bekerja dengan baik atau rusak. Lumasi sesuai dengan yang ditentukan banyaknya. (Gb. 17)

⚠ PERHATIAN:

- Hati-hati jangan sampai merusak konektor atau kabel, terutama ketika mengelap gemuk bekas.

Untuk merakit kembali mesin, ikuti urutan terbalik dari prosedur pembongkaran.

⚠ PERHATIAN:

- Jangan mengencangkan tutup engkol terlalu kuat. Tutup engkol terbuat dari resin dan mudah pecah.
- Hati-hati jangan sampai merusak konektor atau kabel, terutama ketika memasang pegangan.

Hubungkan konektor dengan kuat dan kemudian pasang kembali pegangan. (Gb. 18)

Untuk menjaga KEAMANAN dan KEANDALAN mesin, perbaikan, pemeriksaan dan penggantian sikat karbon, serta perawatan atau penyetulan lain harus dilakukan oleh Pusat Layanan Resmi Makita, selalu gunakan suku cadang pengganti buatan Makita.

PILIHAN AKSESORI

⚠ PERHATIAN:

- Dianjurkan untuk menggunakan aksesori atau perangkat tambahan ini dengan mesin Makita Anda yang ditentukan dalam petunjuk ini. Penggunaan aksesori atau perangkat tambahan lain bisa menyebabkan risiko cedera pada manusia. Hanya gunakan aksesori atau perangkat tambahan sesuai dengan peruntukannya.

Jika Anda memerlukan bantuan lebih rinci berkenaan dengan aksesoris ini, tanyakan pada Pusat Layanan Makita terdekat.

- Pahat beton (SDS-max)
- Pahat besi (SDS-max)
- Pahat tumbuk (SDS-max)
- Sekop lempung (SDS-max)
- Gemuk mata mesin
- Kaca mata pelindung
- Gemuk mesin bor getar
- Tas jinjing plastik

CATATAN:

- Beberapa item dalam daftar tersebut mungkin sudah termasuk dalam paket mesin sebagai aksesoris standar. Hal tersebut dapat berbeda dari satu negara ke negara lainnya.

TIẾNG VIỆT

Giải thích về hình vẽ tổng thể

- | | | |
|---|--------------------|--------------------------|
| 1. Cần gạt công tắc | 7. Đai ốc xiết | 14. Trắng |
| 2. Đĩa điều chỉnh | 8. Đầu gắn mũi | 15. Đen |
| 3. Đèn chỉ báo Nguồn điện-BẬT (xanh lá) | 9. Dầu tra đầu mũi | 16. Tấm đệm nắp tay quay |
| 4. Đèn chỉ báo bảo trì (đỏ) | 10. Nắp tháo | 17. Tuốc-nơ-vít |
| 5. Tay cầm hồng (tay cầm phụ) | 11. Vòng chỉnh | 18. Dầu mỡ |
| 6. Tay nắm hồng mặt D | 12. Vít | |
| | 13. Đầu nối | |

THÔNG SỐ KỸ THUẬT

Kiểu	HM0871C	HM0870C
Số nhát mỗi phút	1.100 - 2.650 phút ⁻¹	
Chiều dài tổng thể	466 mm	449 mm
Trọng lượng tịnh	5,6 kg	5,1 kg
Cấp độ an toàn	□/II	

- Do chương trình nghiên cứu và phát triển liên tục của chúng tôi nên các thông số kỹ thuật trong đây có thể thay đổi mà không cần thông báo trước.
- Các thông số kỹ thuật có thể thay đổi tùy theo từng quốc gia.
- Trọng lượng tùy theo Quy trình EPTA tháng 01/2003

Ký hiệu

Phần dưới đây cho biết các ký hiệu được dùng cho thiết bị. Đảm bảo rằng bạn hiểu rõ ý nghĩa của các ký hiệu này trước khi sử dụng.



..... Đọc tài liệu hướng dẫn.

END201-4



..... CÁCH ĐIỆN KÉP

ENE045-1

Mục đích sử dụng

Dụng cụ này được dùng cho công tác đục phá bê-tông, gạch, đá và nhựa asphalt cũng như cho việc đóng nện và đầm nén với các phụ kiện thích hợp.

ENF002-1

Nguồn cấp điện

Dụng cụ này chỉ được nối với nguồn cấp điện có điện áp giống như đã chỉ ra trên biển tên và chỉ có thể được vận hành trên nguồn điện AC mt pha. Chúng được cách điện hai lớp theo Tiêu chuẩn Châu Âu và do đó cũng có thể được sử dụng từ các ổ cắm điện không có dây tiếp đất.

GEA005-3

Cảnh báo An toàn Chung dành cho Dụng cụ Máy

⚠ CẢNH BÁO! Đọc tất cả các cảnh báo an toàn và hướng dẫn. Việc không tuân theo các cảnh báo và hướng dẫn có thể dẫn đến điện giật, hỏa hoạn và/hoặc thương tích nghiêm trọng.

Lưu giữ tất cả cảnh báo và hướng dẫn để tham khảo sau này.

Thuật ngữ “dụng cụ máy” trong các cảnh báo đề cập đến dụng cụ máy (có dây) được vận hành bằng nguồn điện chính hoặc dụng cụ máy (không dây) được vận hành bằng pin của bạn.

An toàn tại nơi làm việc

- Giữ nơi làm việc sạch sẽ và có đủ ánh sáng.** Nơi làm việc bừa bộn hoặc tối thường dễ gây ra tai nạn.
- Không vận hành dụng cụ máy trong môi trường cháy nổ, ví dụ như môi trường có sự hiện diện của các chất lỏng, khí hoặc bụi dễ cháy.** Các dụng cụ máy tạo tia lửa điện có thể làm bụi hoặc khí bốc cháy.
- Giữ trẻ em và người ngoài tránh xa nơi làm việc khi đang vận hành dụng cụ máy.** Sự xao lãng có thể khiến bạn mất khả năng kiểm soát.

An toàn về điện

- Phích cắm của dụng cụ máy phải khớp với ổ cắm. Không bao giờ được sửa đổi phích cắm theo bất kỳ cách nào. Không sử dụng bất kỳ phích chuyển đổi nào với các dụng cụ máy được nối đất (tiếp đất).** Các phích cắm còn nguyên vẹn và ổ cắm phù hợp sẽ giảm nguy cơ điện giật.
- Tránh để cơ thể tiếp xúc với các bề mặt nóng đất hoặc tiếp đất như đường ống, bộ tản nhiệt, bếp ga và tủ lạnh.** Nguy cơ bị điện giật sẽ tăng lên nếu cơ thể bạn được nối đất hoặc tiếp đất.
- Không để dụng cụ máy tiếp xúc với mưa hoặc trong điều kiện ẩm ướt.** Nước lọt vào dụng cụ máy sẽ làm tăng nguy cơ điện giật.

7. **Không lạm dụng dây.** Không bao giờ sử dụng dây đề mang, kéo hoặc tháo phích cắm dụng cụ máy. Giữ dây tránh xa nguồn nhiệt, dầu, các mép sắc hoặc các bộ phận chuyển động. Dây bị hỏng hoặc bị rối sẽ làm tăng nguy cơ điện giật.
8. **Khi vận hành dụng cụ máy ngoài trời, hãy sử dụng dây kéo dài phù hợp cho việc sử dụng ngoài trời.** Việc dùng dây phù hợp cho việc sử dụng ngoài trời sẽ giảm nguy cơ điện giật.
9. **Nếu bắt buộc phải vận hành dụng cụ máy ở nơi ẩm ướt, hãy sử dụng nguồn cấp điện được bảo vệ bằng thiết bị ngắt dòng điện rò (RCD).** Việc sử dụng RCD sẽ giảm nguy cơ điện giật.
10. **Chúng tôi luôn khuyên bạn sử dụng nguồn cấp điện qua thiết bị ngắt dòng điện dư định mức 30 mA hoặc thấp hơn.**

An toàn cá nhân

11. **Luôn tỉnh táo, quan sát những việc bạn đang làm và sử dụng những phán đoán theo kinh nghiệm khi vận hành dụng cụ máy.** Không sử dụng dụng cụ máy khi bạn đang mệt mỏi hoặc chịu ảnh hưởng của ma túy, rượu hay thuốc. Chỉ một khoảng khắc không tập trung khi đang vận hành dụng cụ máy cũng có thể dẫn đến thương tích cá nhân nghiêm trọng.
12. **Sử dụng thiết bị bảo hộ cá nhân.** Luôn đeo thiết bị bảo vệ mắt. Các thiết bị bảo hộ như mặt nạ chống bụi, giày an toàn chống trượt, mũ bảo hộ hay thiết bị bảo vệ thính giác được sử dụng trong các điều kiện thích hợp sẽ giúp giảm thương tích cá nhân.
13. **Tránh vô tình khởi động dụng cụ máy.** **Đảm bảo công tắc ở vị trí off (tắt) trước khi nối nguồn điện và/hoặc bộ pin, cắm hoặc mang dụng cụ máy.** Việc mang dụng cụ máy khi đang đặt ngón tay ở vị trí công tắc hoặc cấp điện cho dụng cụ máy đang bật thường dễ gây ra tai nạn.
14. **Tháo mọi khoá hoặc chia vận điều chỉnh trước khi bật dụng cụ máy.** Việc chia vận hoặc khoá vẫn còn gắn vào bộ phận quay của dụng cụ máy có thể dẫn đến thương tích cá nhân.
15. **Không vớ quá cao.** Luôn giữ thăng bằng tốt và có chỗ để chân phù hợp. Điều này cho phép điều khiển dụng cụ máy tốt hơn trong những tình huống bất ngờ.
16. **Ăn mặc phù hợp.** Không mặc quần áo rộng hay đeo đồ trang sức. Giữ tóc, quần áo và găng tay tránh xa các bộ phận chuyển động. Quần áo rộng, đồ trang sức hay tóc dài có thể mắc vào các bộ phận chuyển động.
17. **Nếu các thiết bị được cung cấp để kết nối các thiết bị thu gom và hút bụi, hãy đảm bảo chúng được kết nối và sử dụng hợp lý.** Việc sử dụng thiết bị thu gom bụi có thể làm giảm những mối nguy hiểm liên quan đến bụi.

Sử dụng và bảo quản dụng cụ máy

18. **Không dùng lực đối với dụng cụ máy.** Sử dụng đúng dụng cụ máy cho công việc của bạn. Sử dụng đúng dụng cụ máy sẽ giúp thực hiện công việc tốt hơn và an toàn hơn theo giá trị định mức được thiết kế của dụng cụ máy đó.
19. **Không sử dụng dụng cụ máy nếu công tắc không bật và tắt được dụng cụ máy đó.** Mọi dụng cụ máy không thể điều khiển được bằng công tắc đều rất nguy hiểm và cần được sửa chữa.

20. **Rút phích cắm ra khỏi nguồn điện và/hoặc ngắt kết nối bộ pin khỏi dụng cụ máy trước khi thực hiện bất kỳ công việc điều chỉnh, thay đổi phụ tùng hay cất giữ dụng cụ máy nào.** Những biện pháp an toàn phòng ngừa này sẽ giảm nguy cơ vô tình khởi động vô tình dụng cụ máy.
21. **Cất giữ các dụng cụ máy không sử dụng ngoài tầm với của trẻ em và không cho bất kỳ người nào không có hiểu biết về dụng cụ máy hoặc các hướng dẫn này vận hành dụng cụ máy.** Dụng cụ máy sẽ rất nguy hiểm nếu được sử dụng bởi những người dùng chưa qua đào tạo.
22. **Bảo quản dụng cụ máy.** Kiểm tra tình trạng lệch trục hoặc bó kẹt của các bộ phận chuyển động, hiện tượng nứt vỡ của các bộ phận và mọi tình trạng khác mà có thể ảnh hưởng đến hoạt động của dụng cụ máy. Nếu có hỏng hóc, hãy sửa chữa dụng cụ máy trước khi sử dụng. Nhiều tai nạn xảy ra là do không bảo quản tốt dụng cụ máy.
23. **Luôn giữ cho dụng cụ cất được sắc bén và sạch sẽ.** Những dụng cụ cất được bảo quản tốt có mép cắt sắc sẽ ít bị kẹt hơn và dễ điều khiển hơn.
24. **Sử dụng dụng cụ máy, phụ tùng và đầu dụng cụ cắt, v.v... theo các hướng dẫn này, có tính đến điều kiện làm việc và công việc được thực hiện.** Việc sử dụng dụng cụ máy cho các công việc khác với công việc dự định có thể gây nguy hiểm.

Bảo dưỡng

25. **Đề nghị viên sửa chữa đủ trình độ bảo dưỡng dụng cụ máy của bạn và chỉ sử dụng các bộ phận thay thế đồng nhất.** Việc này sẽ đảm bảo duy trì được độ an toàn của dụng cụ máy.
26. **Tuân theo hướng dẫn dành cho việc bôi trơn và thay phụ tùng.**
27. **Giữ tay cầm khô, sạch, không dính dầu và mỡ.**

GEB004-6

CẢNH BÁO AN TOÀN VỀ BÚA

1. **Đeo thiết bị bảo vệ tai.** Việc để tai tiếp xúc với tiếng ồn có thể gây giảm thính lực.
2. **Sử dụng (các) tay cầm phụ, nếu được cung cấp cùng với dụng cụ.** Việc mất khả năng kiểm soát có thể dẫn đến thương tích cá nhân.
3. **Cầm dụng cụ máy bằng bề mặt kẹp cách điện khi thực hiện một thao tác trong đó bộ phận cắt có thể tiếp xúc với dây dẫn kín hoặc dây của chính nó.** Bộ phận cắt tiếp xúc với dây dẫn "có điện" có thể khiến các bộ phận kim loại bị hở của dụng cụ máy "có điện" và làm cho người vận hành bị điện giật.
4. **Mang mũ cứng (nón bảo hộ), đeo kính an toàn và/hoặc mang tấm bảo vệ mặt.** Các loại kính mắt hoặc kính râm thông thường KHÔNG phải là kính an toàn. Chúng tôi khuyến cáo bạn nên mang khẩu trang chống bụi và một đôi găng tay đệm dày.
5. **Đảm bảo rằng phần mũi được giữ chặt ở đúng vị trí trước khi vận hành.**
6. **Khi vận hành bình thường, dụng cụ được thiết kế có phát sinh ra rung động.** Các ốc vít có thể dễ dàng bị lỏng ra làm hỏng hoặc gây tai nạn. Kiểm tra độ chặt của các ốc vít trước khi bắt đầu vận hành.

- Ở thời tiết lạnh hoặc khi dụng cụ không được sử dụng trong thời gian dài, hãy để dụng cụ nóng lên một chút trước khi vận hành hoặc vận hành nó không tải. Điều này sẽ giúp dầu bôi trơn giãn ra. Nếu không làm nóng dụng cụ, thao tác đóng búa sẽ trở nên khó khăn.
- Luôn đảm bảo bạn có chỗ đặt chân vững chắc. Đảm bảo rằng không có ai ở bên dưới khi sử dụng dụng cụ ở trên cao.
- Cầm chắc dụng cụ bằng cả hai tay.
- Giữ tay tránh xa các bộ phận quay.
- Không để mặc dụng cụ hoạt động. Chỉ vận hành dụng cụ khi cầm trên tay.
- Không được chỉ dụng cụ về bất cứ ai trong khu vực đang hoạt động. Đầu mũi có thể bay ra và gây tổn thương nghiêm trọng cho người khác.
- Không được sờ vào phần đầu mũi hoặc các bộ phận gần đầu mũi ngay sau khi hoạt động xong; chúng có thể cực nóng và làm bỏng da bạn.
- Không được vận hành dụng cụ ở mức không tải không cần thiết.
- Một số vật liệu có thể chứa hoá chất độc. Hãy cẩn thận để tránh hít phải bụi và tiếp xúc với da. Tuân theo dữ liệu an toàn của nhà cung cấp vật liệu.

LƯU GIỮ CÁC HƯỚNG DẪN NÀY.

⚠ CẢNH BÁO:

KHÔNG được để sự thoải mái hay quen thuộc với sản phẩm (có được do sử dụng nhiều lần) thay thế việc tuân thủ nghiêm ngặt các quy định về an toàn dành cho sản phẩm này.

VIỆC DÙNG SAI hoặc không tuân theo các quy định về an toàn được nêu trong tài liệu hướng dẫn này có thể dẫn đến thương tích cá nhân nghiêm trọng.

MÔ TẢ CHỨC NĂNG

⚠ CẢNH BÁO:

- Phải luôn đảm bảo rằng dụng cụ đã được tắt điện và ngắt kết nối trước khi chỉnh sửa hoặc kiểm tra chức năng của dụng cụ.

Hoạt động công tắc (Hình 1)

⚠ CẢNH BÁO:

- Trước khi cắm điện vào dụng cụ, luôn kiểm tra xem dụng cụ đã tắt chưa.
- Công tắc có thể khóa ở vị trí "ON" (BẬT) để người vận hành dễ dàng thuận tiện trong quá trình sử dụng kéo dài. Cần hết sức cẩn trọng khi khóa dụng cụ ở vị trí "ON" (BẬT) và phải luôn giữ chặt dụng cụ.

Để khởi động dụng cụ, bấm vào cần gạt công tắc "ON (I)" (BẬT) ở bên trái dụng cụ. Để khởi động dụng cụ, bấm vào cần gạt công tắc "OFF (O)" (TẮT) ở bên phải dụng cụ.

Thay đổi tốc độ (Hình 2)

Số nhất mỗi phút có thể được điều chỉnh bằng cách xoay đĩa điều chỉnh. Có thể thực hiện việc này ngay cả khi dụng cụ đang hoạt động. Đĩa xoay được đánh dấu từ 1 (tốc độ thấp nhất) đến 5 (tốc độ cao nhất).

Tham khảo bảng dưới đây về mối liên quan giữa cài đặt theo số trên đĩa điều chỉnh và số nhất mỗi phút.

Số trên đĩa điều chỉnh	Số nhất mỗi phút
5	2.650
4	2.400
3	1.750
2	1.300
1	1.100

010466

⚠ CẢNH TRỌNG:

- Đĩa điều chỉnh tốc độ chỉ có thể được xoay đến số 5 và trở về số 1. Không được cố xoay quá số 5 hoặc số 1, nếu không chức năng điều chỉnh tốc độ có thể sẽ không còn hoạt động được.

Đổi với riềng Kiểu HM0871C

LƯU Ý:

- Số nhất đóng mỗi phút khi không tải sẽ nhỏ hơn số nhất đóng khi có tải để giảm thiểu lực rung khi không tải, tuy nhiên điều này không phải là sự cố. Khi bắt đầu thao tác với đầu mũi tựa lên bề-tông, số nhất đóng mỗi phút sẽ tăng lên và đến các con số được trình bày trong bảng. Khi nhiệt độ thấp và đầu có độ lỏng thấp, dụng cụ có thể không thực hiện được chức năng này ngay cả khi motor đang quay.

Đèn chỉ báo (Hình 3)

Đèn chỉ báo nguồn điện BẬT màu xanh lá sẽ sáng lên khi dụng cụ được cắm điện. Nếu đèn chỉ báo này không sáng, dây điện chính hoặc bộ điều khiển có thể không hoạt động. Đèn chỉ báo bật sáng nhưng dụng cụ không khởi động ngay cả khi dụng cụ được bật lên, các chổi các-bon có thể bị mòn, hoặc bộ điều khiển, motor hoặc công tắc ON/OFF có thể bị hư hỏng.

Đèn chỉ báo báo tri màu đỏ nhấp nháy khi các chổi các-bon gần bị mòn hết để chỉ báo rằng dụng cụ cần bảo trì. Sau khoảng 8 giờ sử dụng, motor sẽ tự động tắt.

LẮP RÁP

⚠ CẢNH BÁO:

- Luôn luôn đảm bảo rằng dụng cụ đã được tắt và tháo phích cắm trước khi dùng dụng cụ thực hiện bất cứ công việc nào.

Tay nắm hông (tay nắm phụ trợ)

Đổi với dụng cụ sử dụng tay cầm bên hông dạng que (Hình 4)

Tay cầm hông có thể lật qua lại các mặt, cho phép dễ dàng cầm giữ dụng cụ ở bất cứ vị trí nào. Vận lỏng tay cầm hông bằng cách xoay nó ngược chiều kim đồng hồ, lật đến vị trí mong muốn và vận chặt lại bằng cách xoay theo chiều kim đồng hồ.

Đổi với dụng cụ có tay nắm hông hình chữ D (Hình 5)

Tay nắm hông có thể xoay 360° theo chiều dọc và giữ chắc ở bất cứ vị trí nào bạn muốn. Nó cũng giữ chặt tại tám vị trí khác trước và sau theo phương ngang. Chỉ cần vận lỏng đai ốc xiết để xoay tay nắm hông đến vị trí mong muốn. Sau đó vận chặt các đai ốc xiết lại.

Việc lắp đặt hoặc tháo gỡ đầu mũi

Vệ sinh thân đầu mũi và bôi dầu tra đầu mũi trước khi lắp đầu mũi. (Hình 6)

Lắp đầu mũi và dụng cụ. Xoay đầu mũi và nhấn vào cho đến khi nào vào khớp.

Nếu không thể đẩy đầu mũi vào, hãy tháo đầu mũi ra. Kéo nắp tháo xuống một vài lần. Sau đó lắp đầu mũi vào lại. Xoay đầu mũi và nhấn vào cho đến khi nào vào khớp.

(Hình 7)

Sau khi lắp, hãy luôn đảm bảo rằng đầu mũi đã được giữ chắc chắn đúng vị trí bằng cách thử kéo ra. **(Hình 8)**

Để tháo đầu mũi, kéo nắp tháo xuống hết mức và kéo đầu mũi ra. **(Hình 9)**

Góc đầu mũi (Hình 10 & Hình 11)

Đầu mũi có thể được giữ ở 12 góc nghiêng. Để thay đổi góc đầu mũi, hãy trượt vòng chuyển về phía trước, sau đó xoay vòng chuyển để thay đổi góc đầu mũi. Đến góc mong muốn, hãy trượt vòng chuyển về lại vị trí ban đầu. Đầu mũi sẽ được giữ chặt tại chỗ.

LƯU Ý:

- Vòng chuyển không thể xoay khi không lắp đầu mũi vào dụng cụ.

VẬN HÀNH

Đục/Đập/Phá hủy (Hình 12 & Hình 13)

Luôn sử dụng tay cầm bên hông (tay cầm phụ trợ) và giữ chặt dụng cụ bằng cả hai tay cầm bên hông và đối tay cầm trong lúc vận hành. Bật dụng cụ lên và nắm giữ dụng cụ với lực vừa đủ sao cho dụng cụ không bị rung bật, không kiểm soát được. Việc ấn rất mạnh lên dụng cụ sẽ không làm tăng hiệu quả sử dụng.

BẢO TRÌ

⚠ CẢN TRỌNG:

- Hãy luôn chắc chắn rằng dụng cụ đã được tắt và ngắt kết nối trước khi cố gắng thực hiện việc kiểm tra hay bảo dưỡng.
- Không bao giờ dùng xăng, ét xăng, dung môi, cồn hoặc hóa chất tương tự. Có thể xảy ra hiện tượng mất màu, biến dạng hoặc nứt vỡ.

Tra dầu mỡ

⚠ CẢN TRỌNG:

- Việc bảo trì này chỉ được thực hiện bởi các Trung tâm Dịch vụ Được Ủy quyền của Makita.

Dụng cụ này không cần phải tra dầu mỡ hàng giờ hoặc hàng ngày bởi nó có sẵn hệ thống tra dầu mỡ gắn trong. Nên bôi trơn dụng cụ mỗi lần thay thế các chổi các-bon. Gửi dụng cụ hoàn chỉnh tới Trung tâm bảo dưỡng được ủy quyền để thực hiện dịch vụ tra dầu bôi trơn. Chạy dụng cụ trong vài phút để làm nóng dụng cụ. Tắt và rút phích điện của dụng cụ.

Vặn lỏng bốn ốc vít ra và tháo tay nắm. Lưu ý rằng các ốc vít trên cùng khác với các ốc vít khác. **(Hình 14)**

Ngắt kết nối đầu nối bằng cách kéo chúng. **(Hình 15)**

Vặn lỏng bốn ốc vít trên nắp tay quay và tháo tấm đậy nắp tay quay ra. **(Hình 16)**

Lau sạch phần dầu mỡ cũ bên trong và thay bằng dầu mỡ mới (30 g). Chỉ sử dụng dầu mỡ tra búa chính hãng của Makita (phụ kiện tùy chọn). Việc tra dầu mỡ quá lượng quy định (khoảng 30 g) có thể gây ra sai lệch thao tác đóng búa hoặc làm dụng cụ không hoạt động. Chỉ tra đúng lượng dầu mỡ theo quy định. **(Hình 17)**

⚠ CẢN TRỌNG:

- Cần thận trọng làm hư hỏng đầu nối hoặc dây dẫn điện đặc biệt khi lau sạch các dầu mỡ cũ.
- Để lắp lại dụng cụ, hãy làm ngược lại quy trình tháo ra.

⚠ CẢN TRỌNG:

- Không được vận nắp tay quay quá chặt. Nó được làm bằng nhựa dẻo và có thể bị nứt gãy.
- Cần thận trọng làm hư hỏng đầu nối hoặc dây dẫn điện đặc biệt khi lắp đặt tay cầm.

Kết nối đầu nối thật chặt và lắp đặt lại tay cầm. **(Hình 18)**
Để đảm bảo AN TOÀN và TIN CẬY của sản phẩm, việc sửa chữa hoặc bất cứ thao tác bảo trì, điều chỉnh nào đều phải được thực hiện bởi các Trung tâm Dịch vụ Được Ủy quyền của Makita (Makita Authorized Service Center), luôn sử dụng các phụ tùng thiết bị thay thế của Makita.

PHỤ KIỆN TÙY CHỌN

⚠ CẢN TRỌNG:

- Các phụ kiện hoặc phụ tùng gắn thêm này được khuyến cáo sử dụng với dụng cụ Makita của bạn theo như quy định trong hướng dẫn này. Việc sử dụng bất cứ phụ kiện hoặc phụ tùng gắn thêm khác đều có thể gây ra rủi ro thương tích cho người. Chỉ sử dụng phụ kiện hoặc phụ tùng gắn thêm cho mục đích đã quy định sẵn của chúng.

Nếu bạn cần hỗ trợ để biết thêm chi tiết về những phụ kiện này, hãy liên hệ với Trung tâm Dịch vụ của Makita tại địa phương của bạn.

- Đầu đục (SDS-max)
- Mũi đục nguội (SDS-max)
- Mũi đục đánh vẩy (SDS-max)
- Lưỡi mai cắt sét (SDS-max)
- Dầu tra đầu mũi
- Kính bảo hộ
- Mỡ tra búa
- Hộp nhựa chứa dụng cụ

LƯU Ý:

- Một vài mục trong danh sách có thể được bao gồm trong gói dụng cụ làm phụ kiện tiêu chuẩn. Các thông số kỹ thuật có thể thay đổi tùy theo từng quốc gia.

คำอธิบายของมุมมองทั่วไป

- | | | |
|----------------------------------|------------------------|-------------------------|
| 1. ก้านสวิตช์ | 7. แนวนอนเกลียวกันคลาย | 13. ขั้วต่อ |
| 2. ปุ่มหมุนปรับ | 8. ก้านดอกสกัด | 14. สีขาว |
| 3. ฝาบอกสถานะเปิดใช้งาน (เขียว) | 9. จาระบีดอกสกัด | 15. สีดำ |
| 4. ไฟเตือนการช่อมแซม (แดง) | 10. การเปิดฝา | 16. ฝาปิดครอบข้อเหวี่ยง |
| 5. ด้ามจับด้านข้าง (มือจับเสริม) | 11. แนวนอนเปลี่ยน | 17. ไชควง |
| 6. ที่จับด้านข้างด้าน D | 12. สกรู | 18. จาระบี |

ข้อมูลจำเพาะ

รุ่น	HM0871C	HM0870C
อัตราเจาะกระแทกต่อนาที	1,100 - 2,650 รอบต่อนาที	
ความยาวโดยรวม	466 มม.	449 มม.
น้ำหนักสุทธิ	5.6 กก.	5.1 กก.
มาตรฐานความปลอดภัย	II/II	

- เนื่องจากมีการค้นคว้าวิจัยและพัฒนาอย่างต่อเนื่อง ข้อมูลจำเพาะในเอกสารฉบับนี้อาจเปลี่ยนแปลงได้โดยไม่ต้องแจ้งให้ทราบล่วงหน้า
- ข้อมูลจำเพาะอาจแตกต่างกันไปในแต่ละประเทศ
- น้ำหนักตามข้อบังคับของ EPTA 01/2003

END201-4

GEA005-3

สัญลักษณ์

ต่อไปนี้เป็นสัญลักษณ์ที่ใช้สำหรับอุปกรณ์
โปรดศึกษาความหมายของสัญลักษณ์ให้เข้าใจก่อนการใช้งาน



.....อ่านคู่มือการใช้งาน



.....ฉนวนสองชั้น

ENE045-1

จุดประสงค์ของเครื่องมือ

เครื่องมือนี้ใช้สำหรับงานเจาะสกัดคอนกรีต อิฐ หิน และยางมะตอย
ตลอดจนการขั้วและการอัดแน่นโดยใช้อุปกรณ์เสริมที่เหมาะสม

ENF002-1

การจ่ายไฟ

ต้องเชื่อมต่อเครื่องมือกับเครื่องจ่ายไฟที่มีแรงเคลื่อนไฟฟ้าตามที่
ระบุไว้ในป้ายข้อมูลเครื่องมือ และจะต้องใช้ไฟฟ้ากระแสสลับ
แบบเฟสเดียวเท่านั้น อุปกรณ์นี้ได้รับการหุ้มฉนวนสองชั้นตาม
มาตรฐาน European Standard และสามารถใช้กับปลั๊กไฟที่ไม่มี
สายดินได้

คำเตือนด้านความปลอดภัยของ
เครื่องมือไฟฟ้าทั่วไป

⚠ คำเตือน! อ่านคำเตือนด้านความปลอดภัยและคำแนะนำ
ทั้งหมด การไม่ปฏิบัติตามคำเตือนและคำแนะนำดังกล่าวอาจส่งผล
ให้เกิดไฟฟ้าช็อต ไฟไหม้ และ/หรือได้รับบาดเจ็บอย่างร้ายแรง

เก็บรักษาคำเตือนและคำแนะนำทั้งหมด
ไว้เป็นข้อมูลอ้างอิงในอนาคต

คำว่า "เครื่องมือไฟฟ้า" ในคำเตือนนี้ หมายถึง เครื่องมือไฟฟ้า (มี
สาย) ที่ทำงานโดยใช้กระแสไฟฟ้า หรือเครื่องมือไฟฟ้า (ไร้สาย) ที่
ทำงานโดยใช้แบตเตอรี่

ความปลอดภัยของพื้นที่ทำงาน

- ดูแลพื้นที่ทำงานให้มีความสะอาดและมีแสงไฟสว่าง พื้นที่
รกกระเบื้องหรือมีดที่บอบช้ำนำไปสู่การเกิดอุบัติเหตุได้
- อย่าใช้งานเครื่องมือไฟฟ้าในสภาพที่อาจเกิดการระเบิด
เช่น ในสถานที่ที่มีของเหลว ก๊าซ หรือฝุ่นผงที่มีคุณสมบัติ
ไวไฟ เครื่องมือไฟฟ้าจะสร้างประกายไฟเพื่อจุดชนวนฝุ่นผง
หรือก๊าซดังกล่าว
- ดูแลไม่ให้มีเด็ก ๆ หรือบุคคลอื่นอยู่ในบริเวณที่กำลังใช้
เครื่องมือไฟฟ้า การมีสิ่งรบกวนสมาธิอาจทำให้คุณสูญเสีย
การควบคุม

ความปลอดภัยด้านไฟฟ้า

- ปลั๊กของเครื่องมือไฟฟ้าต้องพอดีกับตัวรับ อย่าดัดแปลงปลั๊กไม่ว่ากรณีใดๆ อย่าใช้ปลั๊กอะแดปเตอร์กับเครื่องมือไฟฟ้าที่ต่อสายดิน ปลั๊กที่ไม่ถูกต้องและตัวรับไฟที่เข้ากันพอดีจะช่วยลดความเสี่ยงของการเกิดไฟฟ้าช็อต
- ระวังอย่าให้ร่างกายสัมผัสกับพื้นผิวที่ต่อสายดิน เช่น ท่อ เครื่องนำความร้อน เตาหุงต้ม และตู้เย็น มีความเสี่ยงที่จะเกิดไฟฟ้าช็อตสูงขึ้น หากร่างกายของคุณสัมผัสกับพื้น
- อย่าให้เครื่องมือไฟฟ้าถูกน้ำหรืออยู่ในสภาพเปียกชื้น น้ำที่ไหลเข้าไปในเครื่องมือไฟฟ้าจะเพิ่มความเสี่ยงของการเกิดไฟฟ้าช็อต
- อย่าใช้สายไฟอย่างไม่เหมาะสม อย่าใช้สายไฟเพื่อยก ดึง หรือ ถอดปลั๊กเครื่องมือไฟฟ้า เก็บสายไฟให้ห่างจากความร้อน น้ำมัน ของมีคม หรือชิ้นส่วนที่เคลื่อนที่ สายที่ชำรุดหรือพันกันจะเพิ่มความเสี่ยงของการเกิดไฟฟ้าช็อต
- ขณะที่ทำงานเครื่องมือไฟฟ้ากลางแจ้ง ควรใช้สายต่อพ่วงที่เหมาะสมกับงานกลางแจ้งกลางแจ้ง การใช้สายที่เหมาะสมกับงานกลางแจ้งจะลดความเสี่ยงของการเกิดไฟฟ้าช็อต
- หากต้องใช้งานเครื่องมือไฟฟ้าในสถานที่เปียกชื้น ให้ใช้อุปกรณ์ป้องกันกระแสไฟรั่ว (RCD) การใช้ RCD จะลดความเสี่ยงของการเกิดไฟฟ้าช็อต
- ขอแนะนำให้ใช้แหล่งจ่ายไฟผ่าน RCD ที่มีกระแสไฟรั่วในอัตราไม่เกิน 30 mA เสมอ

ความปลอดภัยส่วนบุคคล

- ให้ระมัดระวัง และสังเกตเสมอว่าคุณกำลังทำอะไรอยู่ และใช้สามัญสำนึกในขณะที่ใช้งานเครื่องมือไฟฟ้า อย่าใช้งานเครื่องมือไฟฟ้าในขณะที่คุณกำลังเหนื่อย หรือในสภาพที่มีเมาน้ำจากยาเสพติด เครื่องดื่มแอลกอฮอล์ หรือการเข้ายา ช่วงเวลาที่ขาดความระมัดระวังเมื่อกำลังใช้งานเครื่องมือไฟฟ้าอาจทำให้คุณได้รับบาดเจ็บอย่างรุนแรง
- ใช้อุปกรณ์ป้องกันส่วนบุคคล สวมแว่นตาป้องกันเสมอ อุปกรณ์ป้องกัน เช่น หน้ากากกันฝุ่น รองเท้านิรภัยกันสั่น หมวกนิรภัย หรือเครื่องป้องกันการได้ยินที่ใช้ในสภาพที่เหมาะสมจะช่วยลดการบาดเจ็บ
- ป้องกันไม่ให้เปิดใช้งานอย่างไม่มีตั้งใจ ตรวจสอบว่าสวิตช์อยู่ในตำแหน่งปิดก่อนเชื่อมต่อกับแหล่งจ่ายไฟ และ/หรือ ชุดแบตเตอรี่ หรือก่อนการยกหรือถือเครื่องมือ การสอดนิ้วมือบริเวณสวิตช์เพื่อถือเครื่องมือไฟฟ้า หรือการชาร์จไฟเครื่องมือไฟฟ้าในขณะที่เปิดสวิตช์อยู่อาจนำไปสู่การเกิดอุบัติเหตุ
- นำกฎเกณฑ์ปรับแต่งหรือประแจออกก่อนที่จะเปิดเครื่องมือไฟฟ้า ประแจหรือกฎเกณฑ์เสียบค้างอยู่ในชิ้นส่วนที่หมุนได้ของเครื่องมือไฟฟ้าอาจทำให้คุณได้รับบาดเจ็บ

- อย่าทำงานในระยะเวลาที่สั้นที่สุด จัดทำการยืนและการทรงตัวให้เหมาะสมตลอดเวลา เพราะจะทำให้ควบคุมเครื่องมือไฟฟ้าได้ดีขึ้นในสถานการณ์ที่ไม่คาดคิด
- แต่งกายให้เหมาะสม อย่าสวมเครื่องแต่งกายที่หลวมเกินไป หรือสวมเครื่องประดับ คุณไม่ควรใส่แว่นตา เลี้ยว และถุงมืออยู่ใกล้ชิ้นส่วนที่เคลื่อนที่ เลี้ยว ร่ม ร่ม เครื่องประดับ หรือผมที่มีความยาวอาจเข้าไปติดในชิ้นส่วนที่เคลื่อนที่
- หากมีการจัดอุปกรณ์สำหรับคุณและจัดเก็บฝุ่นไว้ในสถานที่ ให้ตรวจสอบว่าได้เชื่อมต่อและใช้งานอุปกรณ์นั้นอย่างเหมาะสม การใช้เครื่องดูดและจัดเก็บฝุ่นจะช่วยลดอันตรายที่เกิดจากฝุ่นผงได้

การใช้และดูแลเครื่องมือไฟฟ้า

- อย่าฝืนใช้เครื่องมือไฟฟ้า ใช้เครื่องมือไฟฟ้าที่เหมาะสมกับการใช้งานของคุณ เครื่องมือไฟฟ้าที่เหมาะสมจะทำงานให้ได้ดีที่มีประสิทธิภาพและปลอดภัยกว่าตามขีดความสามารถของเครื่องที่ได้รับการออกแบบมา
- อย่าใช้เครื่องมือไฟฟ้า หากสวิตช์ไม่สามารถเปิดปิดได้ เครื่องมือไฟฟ้าที่ควบคุมด้วยสวิตช์ไม่ได้เป็นอันตรายและต้องได้รับการซ่อมแซม
- ถอดปลั๊กจากแหล่งจ่ายไฟ และ/หรือชุดแบตเตอรี่ออกจากเครื่องมือไฟฟ้าก่อนทำการปรับแต่ง เปลี่ยนอุปกรณ์เสริม หรือจัดเก็บเครื่องมือไฟฟ้า วิธีการป้องกันด้านความปลอดภัยดังกล่าวจะช่วยลดความเสี่ยงของการเปิดใช้งานเครื่องมือไฟฟ้าอย่างไม่มีตั้งใจ
- จัดเก็บเครื่องมือไฟฟ้าที่ไม่ได้ใช้งานให้ห่างจากมือเด็ก และอย่าอนุญาตให้บุคคลที่ไม่คุ้นเคยกับเครื่องมือไฟฟ้า หรือคำแนะนำเหล่านี้ใช้งานเครื่องมือไฟฟ้า เครื่องมือไฟฟ้าจะเป็นอันตรายเมื่ออยู่ในมือของผู้ที่ไม่ได้รับการฝึกอบรม
- การดูแลรักษาเครื่องมือไฟฟ้า ตรวจสอบการประกอบที่ไม่ถูกต้องหรือการเชื่อมต่อของชิ้นส่วนที่เคลื่อนที่ การแตกหักของชิ้นส่วน หรือสภาพอื่นๆ ที่อาจส่งผลกระทบต่อการทำงานของเครื่องมือไฟฟ้า หากมีความเสียหายให้นำเครื่องมือไฟฟ้าไปซ่อมแซมก่อนการใช้งาน อุบัติเหตุจำนวนมากเกิดจากการดูแลรักษาเครื่องมือไฟฟ้าอย่างไม่ถูกต้อง
- ล้างความคมและทำความสะอาดเครื่องมือการตัดอยู่เสมอ เครื่องมือการตัดที่มีการดูแลอย่างถูกต้องและมีขอบการตัดคมมักจะมีปัญหาติดขัดน้อยและควบคุมได้ง่ายกว่า
- ใช้เครื่องมือไฟฟ้า อุปกรณ์เสริม และวัสดุสิ้นเปลือง ฯลฯ ตามคำแนะนำดังกล่าว พิจารณาสภาพการทำงานและงานที่จะลงมือทำ การใช้เครื่องมือไฟฟ้าเพื่อทำงานอื่นนอกเหนือจากที่กำหนดไว้อาจทำให้เกิดอันตราย

การบริการ

- นำเครื่องมือไฟฟ้าเข้ารับบริการจากช่างซ่อมที่ผ่านการรับรองโดยใช้อะไหล่แบบเดียวกันเท่านั้น เพราะจะทำให้การใช้เครื่องมือไฟฟ้ามีความปลอดภัย
- ปฏิบัติตามคำแนะนำในการหล่อลื่นและการเปลี่ยนอุปกรณ์เสริม
- ดูแลมือจับให้แห้ง สะอาด และไม่มันมันและจาระบีเปื้อน

GEB004-6

คำเตือนด้านความปลอดภัยของเครื่องเจาะสกัด

- สวมใส่อุปกรณ์ป้องกันเสียง เสียงที่ดังเกินขนาดอาจทำให้สูญเสียการได้ยิน
- ใช้มือจับเสริม ถ้ามีมากับเครื่อง การสูญเสียความควบคุมอาจทำให้เกิดการบาดเจ็บ
- ถือเครื่องมือบริเวณมือจับที่เป็นฉนวน ขณะทำงานที่เครื่องมือตัดอาจสัมผัสกับสายไฟฟ้าที่ซ่อนอยู่หรือสายไฟของเครื่องเอง เครื่องมือตัดที่สัมผัสกับสายไฟฟ้า “มีกระแสไฟฟ้าไหลผ่าน” อาจทำให้ส่วนที่เป็นโลหะของเครื่องมือไฟฟ้าที่ไม่มีฉนวนหุ้ม “มีกระแสไฟฟ้าไหลผ่าน” และทำให้ผู้ปฏิบัติงานถูกไฟฟ้าช็อตได้
- สวมหมวกแข็ง (หมวกนิรภัย) แว่นนิรภัย และ/หรือ หน้ากากป้องกัน แว่นตาดำหรือแว่นกันแดดไม่ใช่แว่นนิรภัย และขอแนะนำอย่างยิ่งให้สวมหน้ากากกันฝุ่นและถุงมือหนาๆ
- ตรวจสอบให้แน่ใจว่าดอกสว่านยึดแน่นเข้าที่ดีแล้วก่อนการใช้งาน
- ภายใต้การทำงานปกติ เครื่องมือได้รับการออกแบบมาเพื่อสร้างแรงสั่นสะเทือน ดังนั้น สกรูต่างๆ จะหลวมได้ง่าย ซึ่งอาจทำให้เครื่องเสียหายหรือเกิดอุบัติเหตุ ตรวจสอบให้แน่ใจว่าขันสกรูแน่นดีแล้วก่อนการใช้งาน
- ในสภาพอากาศหนาวหรือเมื่อไม่มีการใช้เครื่องมือเป็นระยะเวลานาน ต้องอุ่นเครื่องมือสักครู่โดยการเปิดเครื่องทิ้งไว้เฉยๆ เพื่อให้มีการหล่อลื่น หากไม่มีการอุ่นเครื่องมืออย่างเหมาะสม การเจาะสกัดจะทำได้ยาก
- ตรวจสอบบริเวณที่ยืนให้มีความมั่นคงเสมอหากใช้งานเครื่องมือในพื้นที่สูง ระวังอย่าให้มีคนอยู่ด้านล่าง
- จับเครื่องมือให้แน่นด้วยมือทั้งสองข้าง
- ระวังอย่าให้มือสัมผัสกับชิ้นส่วนที่เคลื่อนที่
- อย่าปล่อยให้เครื่องมือทำงานค้างไว้ ใช้งานเครื่องมือในขณะที่ถืออยู่เท่านั้น
- อย่าใช้เครื่องมือไปที่บุคคลใดในพื้นที่ทำงานขณะใช้งาน ดอกสว่านอาจหลุดออกและทำให้ได้รับบาดเจ็บร้ายแรงได้

- ห้ามสัมผัสกับดอกสว่านหรือชิ้นส่วนที่ใกล้กับดอกสว่านทันทีที่ทำงานเสร็จ เนื่องจากดอกสว่านหรือชิ้นส่วนอาจมีความร้อนสูงและลวกผิวหนังของคุณได้
- อย่าใช้เครื่องมือโดยเปิดเครื่องทิ้งไว้เฉยๆ โดยไม่จำเป็น
- วัสดุบางอย่างอาจมีสารเคมีที่เป็นพิษ ระวังอย่าสูดดมฝุ่นหรือให้สารเหล่านั้นสัมผัสกับร่างกาย ปฏิบัติตามข้อมูลด้านความปลอดภัยของผู้ผลิตวัสดุ

บันทึกคำแนะนำเหล่านี้

⚠ คำเตือน:

อย่าให้ความไม่ระมัดระวังหรือความคุ้นเคยกับผลิตภัณฑ์ (จากการใช้งานซ้ำหลายครั้ง) อยู่เหนือการปฏิบัติตามกฎเกณฑ์ด้านความปลอดภัยในการใช้งานผลิตภัณฑ์อย่างเคร่งครัด

การปฏิบัติอย่างไม่เหมาะสมหรือการไม่ปฏิบัติตามกฎเกณฑ์ด้านความปลอดภัยในคู่มือใช้งานนี้อาจก่อให้เกิดการบาดเจ็บอย่างรุนแรง

คำอธิบายการทำงาน

⚠ ข้อควรระวัง:

- ตรวจสอบให้แน่ใจว่าสวิตช์เครื่องมืออยู่ในตำแหน่งปิดเครื่อง และถอดปลั๊กเครื่องมือออกก่อนปรับตั้งหรือตรวจสอบการทำงานของเครื่องมือ

การทำงานของสวิตช์ (ภาพที่ 1)

⚠ ข้อควรระวัง:

- ก่อนเสียบปลั๊กเครื่องมือ ให้ตรวจสอบว่าสวิตช์เครื่องมืออยู่ในตำแหน่งปิดเครื่อง
 - สวิตช์สามารถล็อกในตำแหน่ง “ON” เพื่อช่วยให้สะดวกในการใช้งานอย่างต่อเนื่อง ใช้ความระมัดระวังเมื่อล็อกสวิตช์เครื่องมือในตำแหน่ง “ON” และจับเครื่องมือให้แน่นตลอดเวลา
- เปิดใช้เครื่องมือโดยดันก้านสวิตช์ไปที่ตำแหน่ง “ON (I)” ทางด้านซ้ายของเครื่องมือ ปิดใช้เครื่องมือโดยดันก้านสวิตช์ไปที่ตำแหน่ง “OFF (O)” ทางด้านขวาของเครื่องมือ

การเปลี่ยนระดับความเร็ว (ภาพที่ 2)

อัตราเจาะกระแทกต่อนาทีที่สามารถปรับได้โดยการหมุนปุ่มหมุนปรับ ซึ่งสามารถทำได้ขณะที่เครื่องมือกำลังทำงานอยู่ ปุ่มหมุนปรับจะมีระดับ 1 (ความเร็วต่ำสุด) ถึง 5 (ความเร็วสูงสุด)

โปรดดูความสัมพันธ์ระหว่างระดับที่ปุ่มหมุนปรับและอัตราการหมุนต่อนาที

ตัวเลขบนปุ่มหมุนปรับ	อัตราเจาะกระแทกต่อนาที
5	2,650
4	2,400
3	1,750
2	1,300
1	1,100

010466

⚠ ข้อควรระวัง:

- ปุ่มหมุนปรับความเร็วสามารถหมุนไปจนถึงที่หมายเลข 5 และหมุนกลับจนถึงหมายเลข 1 อย่านับหมุนเลยหมายเลข 5 หรือ 1 ไม่เช่นนั้นฟังก์ชันการปรับความเร็วอาจไม่สามารถใช้งานได้อีกต่อไป

สำหรับรุ่น HM0871C เท่านั้น

หมายเหตุ:

- อัตราเจาะกระแทกต่อนาทีโดยไม่มีวัตถุใดๆ รองรับจะน้อยกว่าอัตราเจาะกระแทกโดยมีวัตถุรองรับ ทั้งนี้เพื่อลดแรงสั่นสะเทือนเมื่อไม่มีวัตถุใดๆ รองรับ ซึ่งไม่ใช่ปัญหาแต่อย่างใด หลังจากเริ่มเจาะดอกไขควงเข้ากับคอนกรีต อัตราเจาะกระแทกต่อนาทีจะเพิ่มขึ้นและเป็นไปตามตัวเลขที่ปรากฏในตาราง เมื่ออุณหภูมิต่ำและจาระบีมีความหนืดน้อยลง เครื่องมืออาจจะไม่ทำงานตามที่กล่าวมานี้แม้ว่ามอเตอร์จะหมุนอยู่ก็ตาม

ไฟแสดงสถานะ (ภาพที่ 3)

ไฟแสดงสถานะเปิดเครื่องสีเขียวจะสว่างขึ้นเมื่อเสียบปลั๊กเครื่องมือ ถ้าไฟแสดงสถานะไม่สว่างขึ้น แสดงว่าสายไฟหลักหรือตัวควบคุมอาจทำงานผิดปกติ การที่ไฟแสดงสถานะติดแต่เครื่องมือไม่เริ่มทำงานแม้จะเปิดสวิตช์ก็ตามแสดงว่าแรงคาร์บอนอาจจะเสีย หรือตัวควบคุม มอเตอร์ และสวิตช์เปิดปิดอาจเสีย

ดวงไฟแจ้งเตือนสีแดงจะกระพริบเมื่อแปรงคาร์บอนใกล้จะหมดสภาพเพื่อให้ผู้ใช้ทราบว่าต้องมีการซ่อมแซมเครื่องมือ หลังจากใช้งานประมาณ 8 ชั่วโมง มอเตอร์จะปิดการทำงานโดยอัตโนมัติ

การประกอบ

⚠ ข้อควรระวัง:

- ตรวจสอบให้แน่ใจว่าสวิตช์เครื่องมืออยู่ในตำแหน่งปิดเครื่อง และถอดปลั๊กเครื่องมือออกก่อนดำเนินงานใดๆ กับเครื่องมือ

มือจับด้านข้าง (มือจับเสริม)

สำหรับเครื่องมือที่มีมือจับด้านข้างแบบด้าม (ภาพที่ 4)

ด้ามจับด้านข้างสามารถเลื่อนไปรอบๆ ได้ทั้งสองด้าน ทำให้จับเครื่องมือได้ง่ายในทุกตำแหน่ง คลายด้ามจับด้านข้างโดยการหมุนด้ามจับบนเข็มนาฬิกา แล้วเลื่อนไปยังตำแหน่งที่ต้องการ จากนั้นยึดให้แน่นโดยการหมุนด้ามจับตามเข็มนาฬิกา

สำหรับเครื่องมือที่มีมือจับด้านข้างรูปตัว D (ภาพที่ 5)

มือจับด้านข้างสามารถปรับหมุนในแนวตั้งได้ 360° และยึดแน่นในตำแหน่งที่ต้องการ และยังสามารถปรับในแนวอนไปข้างหน้าและข้างหลังได้แปดตำแหน่ง เพียงคลายน็อตกันคลายเพื่อเลื่อนมือจับด้านข้างไปยังตำแหน่งที่ต้องการ แล้วขันน็อตกันคลายให้แน่น

การติดตั้งหรือถอดดอกสกัด

ทำความสะอาดก้านดอกสกัดและหาจาระบีที่ดอกสกัดก่อนการติดตั้งดอกสกัด (ภาพที่ 6)

ใส่ดอกสกัดลงในเครื่องมือ หมุนและดันดอกสกัดจนกระทั่งเข้าที่ ถ้าไม่สามารถดันดอกสกัดเข้าไปได้ ให้ถอดดอกสกัดออก แล้วดึงหัวจับลงสองครั้ง จากนั้นใส่ดอกสกัดอีกครั้ง หมุนและดันดอกสกัดจนกระทั่งเข้าที่ (ภาพที่ 7)

หลังจากการติดตั้ง ตรวจสอบให้แน่ใจว่าดอกสกัดยึดแน่นเข้าที่ดีแล้วโดยลองพยายามดึงออก (ภาพที่ 8)

เมื่อต้องการถอดดอกสกัดออก ให้ดึงหัวจับลงจนสุดและดึงดอกสกัดออก (ภาพที่ 9)

มุมดอกสกัด (ภาพที่ 10 และภาพที่ 11)

ดอกสกัดสามารถปรับมุมได้ 12 ตำแหน่ง เมื่อต้องการเปลี่ยนมุมดอกสกัด ให้เลื่อนแหวนปรับมุมไปข้างหน้า แล้วหมุนแหวนปรับมุมเพื่อเปลี่ยนมุมดอกสกัด เมื่อได้มุมที่ต้องการแล้ว ให้เลื่อนแหวนปรับมุมกลับสู่ตำแหน่งเดิม ดอกสกัดจะยึดเข้าที่

หมายเหตุ:

- แหวนปรับมุมไม่สามารถหมุนได้ เมื่อไม่ได้ติดตั้งดอกสกัดในเครื่องมือ

การใช้งาน

การกะเทาะ/การกระแทก/การเจาะสกัด (ภาพที่ 12 และภาพที่ 13)

ใช้ด้ามจับด้านข้าง (มือจับเสริม) เสมอ และจับเครื่องมือให้แน่นด้วยด้ามจับด้านข้างและมือจับสวิตช์ในระหว่างการใช้งาน เปิดสวิตช์เครื่องมือ และใช้แรงกดเครื่องมือเล็กน้อย เพื่อไม่ให้เครื่องมือติดกลับจนไม่สามารถควบคุมได้ การกดเครื่องมือแรงๆ จะไม่เพิ่มประสิทธิภาพการทำงาน

การบำรุงรักษา

⚠ ข้อควรระวัง:

- ตรวจสอบให้แน่ใจว่าได้ปิดสวิตช์เครื่องมือและถอดปลั๊กออกก่อนทำการตรวจสอบหรือบำรุงรักษา
- อย่านำชิ้นส่วนเชื้อเพลิง แบตเตอรี่ ทินเนอร์ แอลกอฮอล์ หรือวัสดุประเภทเดียวกัน เพราะอาจทำให้เครื่องมือมีสีซีดจาง ผิดรูปทรงหรือแตกหักได้

การหล่อลื่น

⚠ ข้อควรระวัง:

- การให้บริการนี้ควรทำโดยศูนย์บริการที่ผ่านการรับรองจาก Makita เท่านั้น

เครื่องมือนี้ไม่จำเป็นต้องหล่อลื่นทุกชั่วโมงหรือทุกวัน เนื่องจากมีระบบหล่อลื่นด้วยจาระบี ดังนั้นจึงควรหล่อลื่นเฉพาะเมื่อมีการเปลี่ยนแปลงคาร์บอน โปรดส่งเครื่องมือทั้งชุดไปยังศูนย์บริการที่ผ่านการรับรองจาก Makita เพื่อทำการหล่อลื่น

เปิดสวิตช์ให้เครื่องมือทำงานสักสองสามนาทีเพื่ออุ่นเครื่องมือ จากนั้น ปิดสวิตช์และถอดปลั๊กเครื่องมือออก

คลายสลักหัวตัวและถอดมือจับออก โปรดทราบว่าสลักหัวตัวบน

แตกต่างจากสลักหัวตัวอื่นๆ (ภาพที่ 14)

ถอดหัวต่อออกโดยการดึงออก (ภาพที่ 15)

คลายสลักหัวตัวบนฝาครอบข้อเหวี่ยงและถอดฝาครอบข้อเหวี่ยงออก (ภาพที่ 16)

เติลจาระบีเก่าด้านในออก และใส่จาระบีใหม่ (30 กรัม) ใช้เฉพาะจาระบีของแท้สำหรับเครื่องเจาะกระแทกจาก Makita เท่านั้น (อุปกรณ์เสริม) การใส่จาระบีมากกว่าปริมาณที่ระบุไว้ (ประมาณ 30 กรัม) อาจทำให้เครื่องเจาะสกทำงานผิดปกติหรือเสียหายได้ ใส่จาระบีตามปริมาณที่ระบุไว้เท่านั้น (ภาพที่ 17)

⚠ ข้อควรระวัง:

- ระวังอย่าให้หัวต่อหรือลวดตะกั่วเสียหายโดยเฉพาะในขณะที่เติลจาระบีเก่าออก

เมื่อต้องการประกอบเครื่องมือกลับดั้งเดิม ให้ปฏิบัติตามขั้นตอนการถอดแยกส่วน

⚠ ข้อควรระวัง:

- อย่าขันฝาครอบข้อเหวี่ยงแน่นเกินไป เนื่องจากฝาครอบทำด้วยเรซินซึ่งอาจเสียหายได้
- ระวังอย่าให้หัวต่อหรือลวดตะกั่วเสียหายโดยเฉพาะในขณะที่ติดตั้งมือจับ

เชื่อมต่อหัวต่อให้แน่นแล้วติดตั้งมือจับกลับเข้าที่ (ภาพที่ 18)

เพื่อความปลอดภัยและความน่าเชื่อถือของผลิตภัณฑ์ ควรให้ศูนย์บริการที่ผ่านการรับรองจาก Makita เป็นผู้ดำเนินการซ่อมแซม ตรวจสอบและเปลี่ยนแปลงคาร์บอน บำรุงรักษา และทำการปรับตั้งอื่นๆ นอกจากนี้ให้ใช้อะไหล่ของแท้จาก Makita เสมอ

อุปกรณ์เสริม

⚠ ข้อควรระวัง:

- ขอแนะนำให้ใช้เฉพาะอุปกรณ์เสริมหรืออุปกรณ์ต่อพ่วงเหล่านี้กับเครื่องมือ Makita ที่ระบุในคู่มือ การใช้อุปกรณ์เสริมหรืออุปกรณ์ต่อพ่วงอื่นๆ อาจมีความเสี่ยงที่จะได้รับบาดเจ็บ ใช้ อุปกรณ์เสริมหรืออุปกรณ์ต่อพ่วงตามวัตถุประสงค์ที่ระบุไว้เท่านั้น

หากคุณต้องการทราบรายละเอียดเกี่ยวกับอุปกรณ์เสริมเหล่านี้ โปรดสอบถามศูนย์บริการ Makita ใกล้บ้านคุณ

- ดอกสกัดปากแหลม (SDS-max)
- ดอกสกัดปากแบน (SDS-max)
- ดอกสกัดแบนใหญ่ (SDS-max)
- ดอกสกัดพลั่ว (SDS-max)
- จาระบีดอกสกัด
- แวนดามิรภัย
- จาระบีเครื่องเจาะสกรู
- กระเป่าถั่วพลาสติก

หมายเหตุ:

- อุปกรณ์บางรายการอาจจะรวมอยู่ในชุดอุปกรณ์พื้นฐานของผลิตภัณฑ์ ซึ่งอาจแตกต่างกันไปในแต่ละประเทศ

Makita Corporation

Anjo, Aichi, Japan

www.makita.com

884928-375

TRD