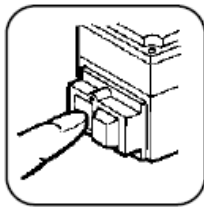


Section 1: Equipment Identification and Supplier details

Name	Husqvarna Tile Saw 9" TS73R	
Recommended Use	Water-lubricated cutting of marble, stone, granite, brick and facings, including porcelain, glazed tiles ceramics etc.	
Manufacturer / Importer	Husqvarna Construction Products NZ Importer Youngman Richardson www.yrco.co.nz	
Emergency Contact details	Garry Bull (Upper Hutt Hire) 027 742 6583	
Links to safety information	None at this time	
Does this equipment require a daily check or inspection and entry in a log book?		No

Section 2: Emergency Stop



In an emergency Turn the switch off.
 Alternatively unplug the power saw.

If the electrical cable or components are damaged, you are authorised by Upper Hutt Hire to cut the plug off the power cable, to prevent inadvertent use.

Section 3: Hazards Identification



DANGER: High Voltage! Risk of Electrocutation!
 Always use a residual-current circuit breaker (RCCB), Ground Fault Circuit Interrupter, Transformer or other suitable electrical Safety device.
 When operating outdoors, use an extension cord suitable for outdoor use.



DANGER: RISK OF AMPUTATION!
 NEVER place hands and feet in the feed anywhere near the blade. RISK of limbs being severed. If a blockage occurs turn off the engine, unplug it, and allow machine to come to a COMPLETE STOP before clearing obstructions.



DANGER: RISK OF FLYING DEBRIS.
 Always wear eye protection



ELECTRIC MOTOR = POTENTIAL IGNITION SOURCE
 Do not operate in areas where there is fuel vapour, LPG, or high levels of flammable dust.
 Do not operate in explosive atmospheres such as in the presence of flammable liquids, gases or dust.

	DANGER: RISK OF INHALATION OF PARTICULATE DUST. Dry material may generate dust. Always use the water lubrication system. Wear breathing protection as necessary.
	Do not allow persons to operate machinery without full and proper instruction in the use of the machine. Do not allow person under 18 year's age to operate the machinery.
	Never leave the engine running when unattended. Shut the machine down even if unattended for a short period.
	Risk of Burns. Parts may become very hot. Do not touch!
	Operation of the equipment must not be performed by persons under the influence of alcohol, drugs, medications or any chemical substances capable of impairing the abilities of that person.
	Continuous operation may result in exhaustion or stress to the operator. Take frequent breaks and do not operate if you are feeling tired.
	SINGLE OPERATOR ONLY! This machine is designed for control and operation by one attendant (operator) only, who must always stand directly behind the machine when in use. Never operate if the safety guards have been removed.

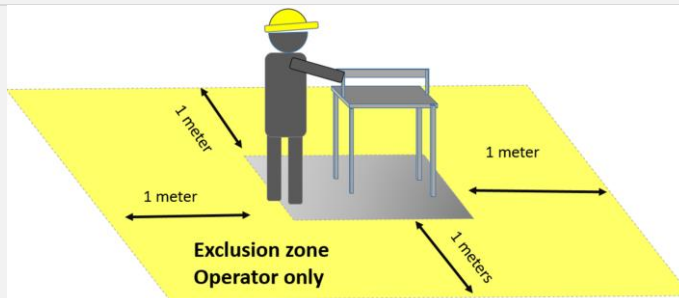
Section 4: Noise and Vibration

	Measured Sound level: 66 dB Guaranteed Sound Power Level: 105 dB OPERATORS MUST USE HEARING PROTECTION Ear Muffs or plugs must be compliant with AS/NZS 1270:2002 Acoustics – Hearing Protectors Class 4 or 5.
Vibrations a_w ($m.s^{-2}$)	Thought to be less than $1 ms^{-2}$. Not thought to be significant.

Section 5: Work Zone

5.1 Work Zone Control or Isolation

Does the work zone require control or isolation?



Yes: Isolate work area from the general public

5.2 Precautions for site

Do you have a
FIRST AID KIT?



Do you have a
FIRE EXTINGUISHER?



Can you make an
EMERGENCY CALL?



Section 6: Personal Protective Equipment (PPE)

Appropriate Personal Protective Equipment (PPE) is required for the operator and persons assisting with loading and unloading.



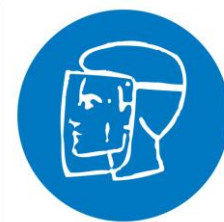
HEARING PROTECTION MUST BE WORN



Dust Mask Must be worn



Foot protection must be worn



Wear face shield

Wear High Visibility clothing if you are working with other people on the work site.
 Tight fitting gloves recommended.

Section 7: Power Source and Lubricants

Power source

240V Electricity. Always use a residual-current circuit breaker (RCCB), Ground Fault Circuit Interrupter, Transformer or other suitable electrical Safety device.

Section 8: Operating instructions

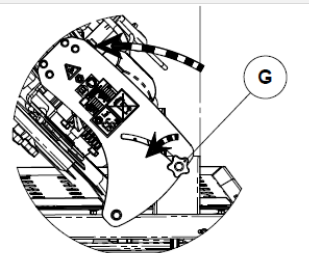
1. To start the machine press the green button on the switch.
2. To stop the machine, press the red button.

Square Cuts:

- Place the dish support head to the rear of the slide.
- Position the tile on the table with the edge firmly against the plate stop
- Pull the head steadily towards you without forcing the blade or making sudden contact with the tile.

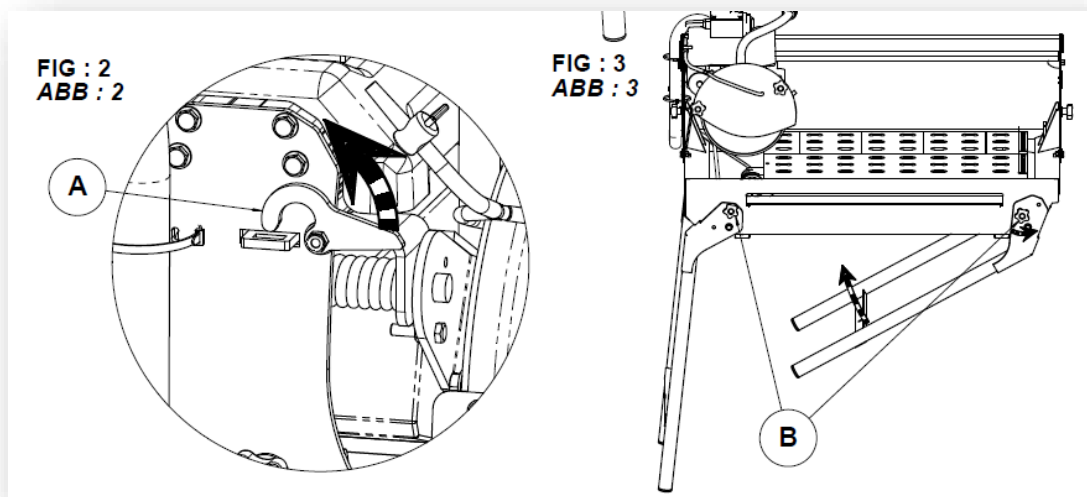
45° Degree bevel cuts:

- Loosen the two adjusting nuts on the support head
- Tip over the cutting head and rail assembly
- Retighten the adjusting nuts and follow the instructions as above.



Section 9: Transport

1. Unplug the machine



2. Lock the head on the rear part of the saw, using clip 'A', so that the head is secured.
3. Loosen the two flywheels (B) of the front legs, and swivel them to a horizontal position, then retighten the flywheels.
4. Repeat the same procedure for the back legs.
5. To reinstall the machine on its legs, carry out the above procedure in reverse.

Section 10: Additional Information

Always use common sense! It is not possible to cover every conceivable situation you can face when using our equipment. Always exercise care and use your common sense. Avoid all situations which you consider to be beyond your capability. If you still feel uncertain about operating procedures after reading these instructions and the owner's manual, you should consult an expert before continuing. The information contained herein is true and accurate to the best of our knowledge. No warranty or guarantee is expressed or implied regarding the accuracy of information or instructions. Users MUST consult the manufacturer's manual or handbook. While every effort has been made to summarise the important Health and Safety information for the safe use of this equipment, Upper Hutt Hire Ltd shall not be liable in any way for any reliance by any person or entity on the accuracy of information or data contained in this document or its attachments.

Revision date May 2022 (SOP based on Husqvarna Manual TS73R 115 03 00-20 2007-03-15)